

### DOSSERT® TYPE 33800 EHV

#### Cable Support

Single conductor strain bus support is designed to be corona free for 345 kV service. Support is designed with universal groove to accept conductors with diameter from 1.545" to 2.158".

#### Material

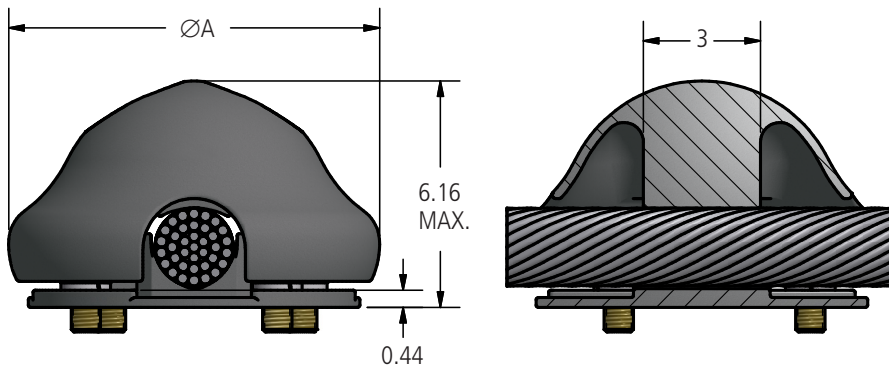
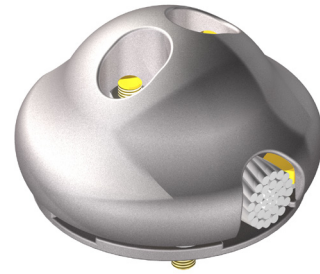
Aluminum Alloy

#### Mounting Hardware

Galvanized steel bolts and lockwashers.

#### Hardware

Yellow anodized aluminum bolts, nuts, and lockwashers.



### Ordering Information

CATALOG NUMBER	CONDUCTOR DIAMETER RANGE	DIMENSIONS IN INCHES	
		A	NOMINAL WEIGHT LBS
<b>5" BOLT CIRCLE</b>			
33805-5 EHV	1.545 - 2.158	7.25	4.5
<b>7" BOLT CIRCLE</b>			
33805-7 EHV	1.545 - 2.158	9.5	6.6