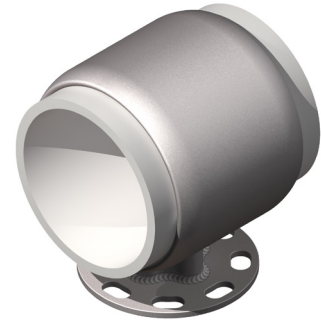


DOSSERT® TYPE 15700 EHV

Support, Bolted, Slip & Fixed

Single ring support is designed to be corona free for 345 kV and 500 kV service. Support is designed to be slip or tight fit; for tight fit bus is field welded to support. Stainless steel chatter springs are supplied as standard item for slip fit applications.

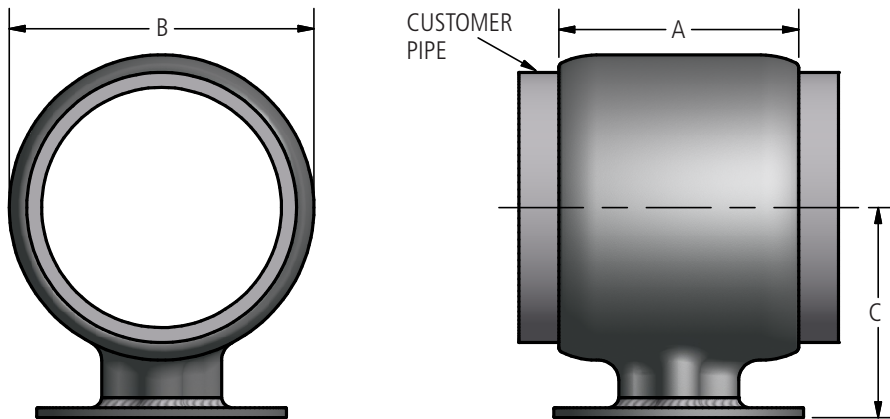


Material

Aluminum Alloy

Mounting Hardware

Galvanized steel bolts and lockwashers.



Ordering Information

CATALOG NUMBER	CONDUCTOR SIZE	DIMENSIONS IN INCHES			NOMINAL WEIGHT LBS
	SPS & EPHS	A	B	C	
5" BOLT CIRCLE					
15708-5 EHV	3	3.00	4.44	3.62	3.2
15709-5 EHV	3 1/2	3.50	5.00	4.00	3.8
15710-5 EHV	4	4.00	5.56	4.50	4.6
15712-5 EHV	5	5.00	6.44	5.00	5.4
15713-5 EHV	6	6.00	7.62	5.50	7.7
7" BOLT CIRCLE					
15708-7 EHV	3	3.00	4.44	3.62	4.3
15709-7 EHV	3 1/2	3.50	5.00	4.00	4.9
15710-7 EHV	4	4.00	5.56	4.50	5.7
15712-7 EHV	5	5.00	6.44	5.00	6.5
15713-7 EHV	6	6.00	7.62	5.50	8.8