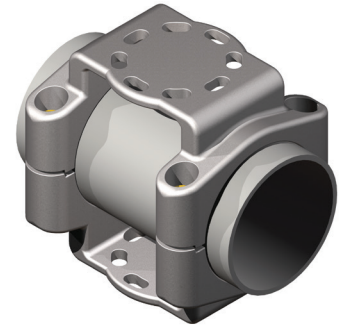


DOSSERT® TYPE 32800 EHV

Support, Bolted, Wave Trap-Type

Wave trap support is designed to be corona free for 345 kV and 500 kV service. Support is combination wave trap support and tight fit bus support designed with standard bolt circle pattern on top and bottom mounting surfaces. Support is supplied with bus clamp hardware and two sets of insulator mounting hardware. Distance from the centerline of the bus to top and bottom mounting surfaces is standard NEMA center line distance.



Material

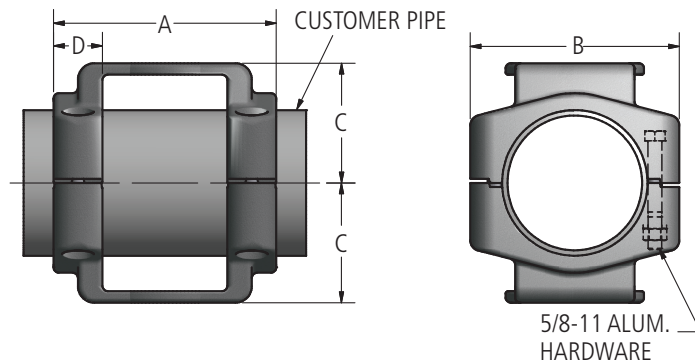
Aluminum Alloy

Mounting Hardware

Galvanized steel bolts and lockwashers.

Hardware

Yellow anodized aluminum bolts, nuts, and lockwashers.



Ordering Information

CATALOG NUMBER	CONDUCTOR SIZE	DIMENSIONS IN INCHES				NOMINAL WEIGHT LBS
	SPS AND EPHS	A	B	C	D	
5" BOLT CIRCLE						
32807-5EHV	2 1/2	10.50	6.00	3.13	2.00	7.8
32808-5 EHV	3	10.50	7.25	3.62	2.00	8.8
32809-5 EHV	3 1/2	11.00	7.75	4.00	2.25	13.1
32810-5 EHV	4	11.00	8.25	4.50	2.25	15.8
32812-5 EHV	5	11.50	9.50	5.00	2.50	19.1
32813-5 EHV	6	11.50	10.50	5.50	2.50	19.7
7" BOLT CIRCLE						
32808-7 EHV	3	12.75	7.25	3.62	2.00	11.0
32809-7 EHV	3 1/2	13.25	7.75	4.00	2.25	14.9
32810-7 EHV	4	13.25	8.25	4.50	2.25	17.6
32812-7 EHV	5	13.75	9.50	5.00	2.50	20.9
32813-7 EHV	6	13.75	10.50	5.50	2.50	21.5