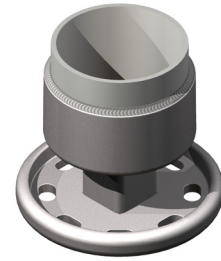


DOSSERT® TYPE 34700 EHV

Welded Vertical Bus Support

Vertical end support is designed to be corona free for 345 kV and 500 kV service. Slotted bolt holes in base provide for misalignment of insulator.

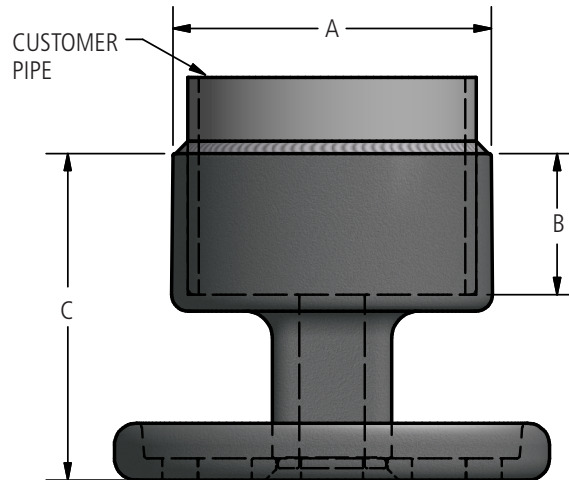


Material

Aluminum Alloy

Mounting Hardware

Galvanized steel bolts and lockwashers.



Ordering Information

CATALOG NUMBER	CONDUCTOR SIZE	DIMENSIONS IN INCHES			NOMINAL WEIGHT LBS
	SPS & EPHS	A	B	C	
5" BOLT CIRCLE					
34708-5 EHV	3	4.12	1.75	6.25	6.1
34709-5 EHV	3-1/2	4.69	2.00	6.50	6.4
34710-5 EHV	4	5.19	2.25	6.75	6.8
34712-5 EHV	5	6.25	2.75	7.25	7.5
34713-5 EHV	6	7.38	3.25	7.75	9.0
7" BOLT CIRCLE					
34708-7 EHV	3	4.12	1.75	6.25	8.1
34709-7 EHV	3-1/2	4.69	2.00	6.50	8.4
34710-7 EHV	4	5.19	2.25	6.75	8.8
34712-7 EHV	5	6.25	2.75	7.25	9.5
34713-7 EHV	6	7.38	3.25	7.75	11.0
34715-7 EHV	8 OD	9	4.25	8.75	13.0
34716-7 EHV	8	9.38	4.25	8.75	13.0