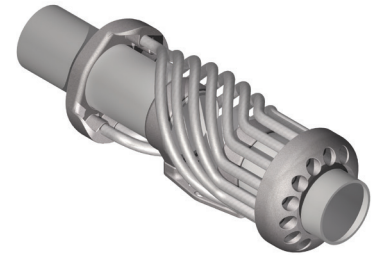


DOSSERT® TYPE 35700 EHV

Expansion support is designed to be corona free for 500 kV service. Rope lay expansion provides for 2.6" (66 mm) of expansion or contraction. Dimension "D" shown is for an installation temperature of 68° F (20° C). For other installation temperatures, see the General Information Section on page 11 in the Substation Accessories catalog. Stainless steel chatter springs are supplied; weld end plugs can be supplied if required.



Material

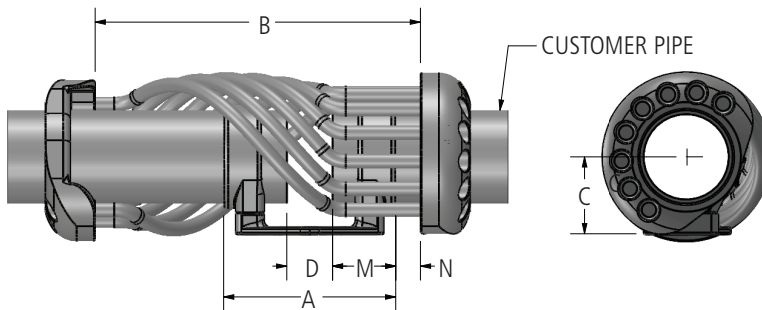
Aluminum Alloy

Mounting Hardware

Galvanized steel bolts and lockwashers.

Notes

- For end plugs, add "-WP" to catalog number for Schedule 40 pipe, "-WPE" for Schedule 80. EX: 35712-7EHV-WPE.



Ordering Information

CATALOG NUMBER	CONDUCTOR SIZE	DIMENSIONS IN INCHES						NOMINAL WEIGHT LBS
	SPS & EPHS	A	B	C	D	M	N	
5" BOLT CIRCLE								
35708-5 EHV	3	10.50	20.50	3.62	3.25	3.62	1.75	21.0
35709-5 EHV	3 1/2	11.00	21.94	4.00	3.25	3.88	1.75	22.0
35710-5 EHV	4	11.00	21.94	4.50	3.25	3.88	1.75	23.0
35712-5 EHV	5	11.50	20.62	5.00	3.25	4.12	1.75	26.0
35713-5 EHV	6	11.50	23.12	5.50	3.25	4.12	1.75	34.0
35714-5 EHV	8	12.75	25.00	6.91	3.25	6.50	1.75	40.0
7" BOLT CIRCLE								
35708-7 EHV	3	12.75	22.75	3.62	3.25	4.75	1.75	22.0
35709-7 EHV	3 1/2	13.25	24.19	4.00	3.25	5.00	1.75	23.0
35710-7 EHV	4	13.25	24.19	4.50	3.25	5.00	1.75	24.0
35712-7 EHV	5	13.75	22.88	5.00	3.25	5.25	1.75	27.0
35713-7 EHV	6	13.75	25.38	5.50	3.25	5.25	1.75	35.0