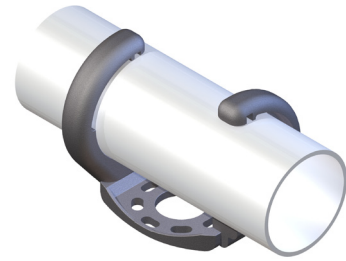


DOSSERT® TYPE HPS-HV-AA

Hook support is designed to be corona free for 345 kV and 500 kV service. Support is designed for slip or tight fit applications; for tight fit application bus is field welded to support.



Material

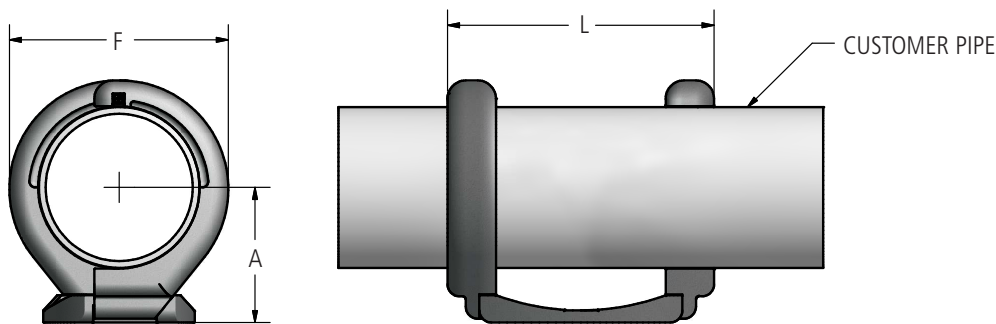
Aluminum Alloy

Mounting Hardware

Galvanized steel bolts and lockwashers.

Notes

Weld in field for rigid support.



Ordering Information

CATALOG NUMBER		SPS / EHPS	BOLT CIRCLE	DIMENSIONS IN INCHES		
STANDARD	WITH CHATTER SPRING			A	B	L
HPS300-3-HV-AA	HPS300-3-HV-CH-AA	3	3	3 5/8	5 1/4	9 3/8
HPS350-5-HV-AA	HPS350-5-HV-CH-AA	3 1/2	5	4	5 7/8	10 7/8
HPS400-5-HV-AA	HPS400-5-HV-CH-AA	4	5	4 1/2	6 1/2	10 7/8
HPS400-7-HV-AA	HPS400-7-HV-CH-AA	4	7	4 1/2	6 1/2	10 7/8
HPS500-5-HV-AA	HPS500-5-HV-CH-AA	5	5	5	7 7/8	10 7/8
HPS500-7-HV-AA	HPS500-7-HV-CH-AA	5	7	5	7 7/8	13 7/8
HPS600-5-HV-AA	HPS600-5-HV-CH-AA	6	5	5 1/2	9 1/8	10 7/8
HPS600-7-HV-AA	HPS600-7-HV-CH-AA	6	7	5 1/2	9 1/8	10 7/8