

DOSSERT®

TYPE PSD-V-AA, PSD-V-CH-AA

Bolted Bus Support, Pipe, Slide or Tight Fit

Double ring support is designed to be corona free for 345 kV and 500 kV service. Support is designed to be slip or tight fit depending on top caps.

Material

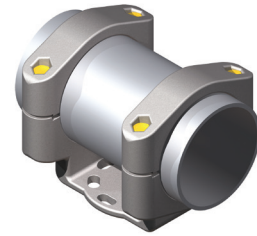
Aluminum Alloy

Hardware

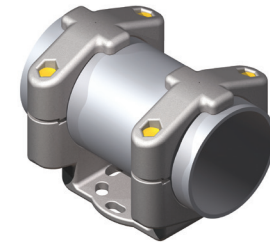
Galvanized steel bolts and lockwashers for mounting.
Yellow anodized aluminum bolts, nuts, and lockwashers.

Notes

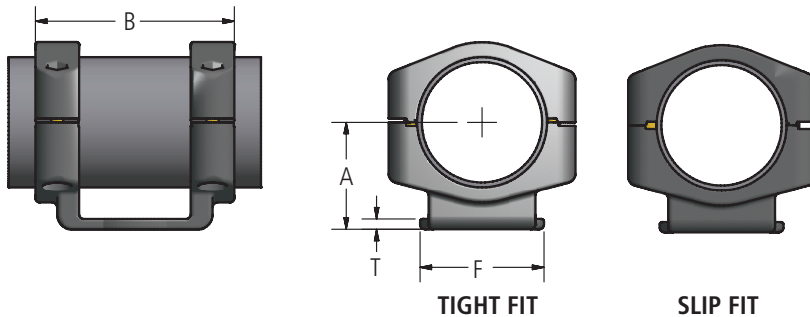
- For Grade Five galvanized steel hardware, add "-GS5" to catalog number. EX: PSD400-7-V-AA-GS5



PSD-V-AA



PSD-V-CH-AA



Ordering Information

CATALOG NUMBER		S.P.S.	BOLT CIRCLE	DIMENSIONS IN INCHES				BOLT SIZE
STANDARD	WITH CHATTER SPRING			A	B	F	T	
PSD250-5-V-AA	PSD250-5-V-CH-AA	2 1/2	5	3 1/8	9 7/8	6 1/4	17/32	1/2
PSD300-3-V-AA	PSD300-3-V-CH-AA	3	3	3 5/8	10 1/8	4 1/4	5/8	5/8
PSD300-5-V-AA	PSD300-5-V-CH-AA	3	5	3 5/8	10 1/4	6 1/4	1/2	5/8
PSD300-7-V-AA	PSD300-7-V-CH-AA	3	7	3 5/8	14 1/2	8 1/2	1/2	5/8
PSD350-5-V-AA	PSD350-5-V-CH-AA	3 1/2	5	4	10 1/4	6 1/4	1/2	5/8
PSD350-7-V-AA	PSD350-7-V-CH-AA	3 1/2	7	4	14 1/2	8 1/2	1/2	5/8
PSD400-3-V-AA	PSD400-3-V-CH-AA	4	3	4 1/2	10 1/8	4 1/4	9/16	5/8
PSD400-5-V-AA	PSD400-5-V-CH-AA	4	5	4 1/2	10 1/4	6 3/8	9/16	5/8
PSD400-7-V-AA	PSD400-7-V-CH-AA	4	7	4 1/2	14 1/2	8 1/2	1/2	5/8
PSD500-3-V-AA	PSD500-3-V-CH-AA	5	3	5	10 1/8	4 1/4	9/16	5/8
PSD500-5-V-AA	PSD500-5-V-CH-AA	5	5	5	10 1/4	6 1/4	1/2	5/8
PSD500-5/7-V-AA	PSD500-5/7-V-CH-AA	5	5 & 7	5	12 3/4	8 1/2	5/8	5/8
PSD500-7-V-AA	PSD500-7-V-CH-AA	5	7	5	12 3/4	8 1/2	5/8	5/8
PSD600-5-V-AA	PSD600-5-V-CH-AA	6	5	5 1/2	10 1/4	6 1/4	1/2	5/8
PSD600-7-V-AA	PSD600-7-V-CH-AA	6	7	5 1/2	12 3/4	8 1/2	5/8	5/8
PSD800R-5-V-AA	PSD800R-5-V-CH-AA	8 DIA	5	7 1/2	10 1/4	6 1/4	1/2	5/8
PSD800R-7-V-AA	PSD800R-7-V-CH-AA	8 DIA	7	7 1/2	12 3/4	8 1/2	5/8	5/8
PSD800-5-V-AA	PSD800-5-V-CH-AA	8	5	6 7/8	10 1/4	6 1/4	1/2	5/8
PSD800-7-V-AA	PSD800-7-V-CH-AA	8	7	6 7/8	12 3/4	8 1/2	5/8	5/8