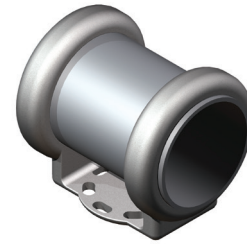


## DOSSERT® TYPE WPS-V-AA, WPS-V-CH-AA Welded Ring Bus Support



Double ring support is designed to be corona free for 345 kV and 500 kV service. Support is designed to be slip or tight fit; for tight fit bus is field weld to support.

### Material

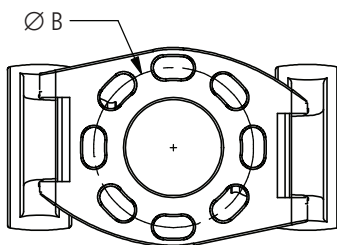
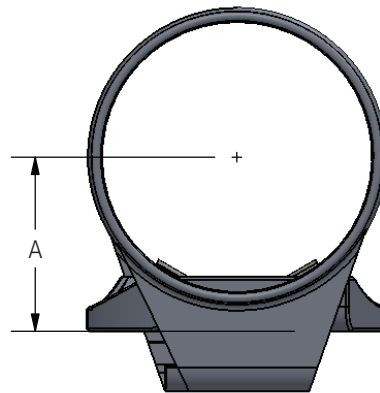
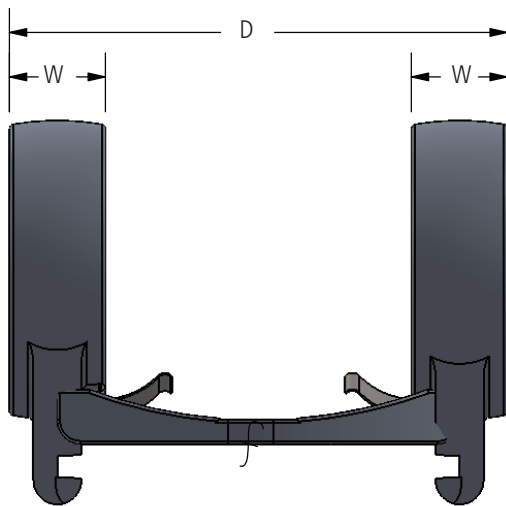
Aluminum Alloy

### Mounting Hardware

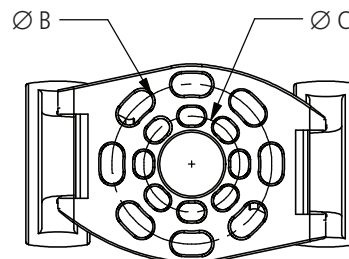
Galvanized steel bolts and lockwashers.

### Notes

- For a 5" pipe, with a 5" BC, high voltage, with a chatter spring, use WPS500-5-V-CH-AA.



PAD DETAIL A



PAD DETAIL B

*continued*  
→

## DOSSERT® TYPE WPS-V-AA, WPS-V-CH-AA Welded Ring Bus Support

### Ordering Information

CATALOG NUMBER		SPS	DETAIL	DIMENSIONS IN INCHES				
STANDARD	WITH CHATTER SPRING			A	B	C	D	W
WPS250-3-V-AA	WPS250-3-V-CH-AA	2.5	A	4.13	3.00	-	7.25	1.50
WPS250-5-V-AA	WPS250-5-V-CH-AA	2.5	A	4.13	5.00	-	10.00	1.50
WPS300-3-V-AA	WPS300-3-V-CH-AA	3	A	3.63	3.00	-	9.13	2.00
WPS300-3/5-V-AA	WPS300-3/5-V-CH-AA	3	B	3.63	3.00	5.00	10.38	2.00
WPS300-5-V-AA	WPS300-5-V-CH-AA	3	A	3.63	5.00	-	10.38	2.00
WPS300-5/7-V-AA	WPS300-5/7-V-CH-AA	3	B	3.63	5.00	7.00	12.88	2.00
WPS300-7-V-AA	WPS300-7-V-CH-AA	3	A	3.63	7.00	-	12.88	2.00
WPS350-3-V-AA	WPS350-3-V-CH-AA	3.5	A	4.00	3.00	-	9.13	2.00
WPS350-3/5-V-AA	WPS350-3/5-V-CH-AA	3.5	B	4.00	3.00	5.00	10.38	2.00
WPS350-5-V-AA	WPS350-5-V-CH-AA	3.5	A	4.00	5.00	-	10.38	2.00
WPS350-5/7-V-AA	WPS350-5/7-V-CH-AA	3.5	B	4.00	5.00	7.00	12.88	2.00
WPS350-7-V-AA	WPS350-7-V-CH-AA	3.5	A	4.00	7.00	-	12.88	2.00
WPS400-3-V-AA	WPS400-3-V-CH-AA	4	A	4.50	3.00	-	9.13	2.00
WPS400-3/5-V-AA	WPS400-3/5-V-CH-AA	4	B	4.50	3.00	5.00	10.38	2.00
WPS400-5-V-AA	WPS400-5-V-CH-AA	4	A	4.50	5.00	-	11.00	2.25
WPS400-5/7-V-AA	WPS400-5/7-V-CH-AA	4	B	4.50	5.00	7.00	12.88	2.00
WPS400-7-V-AA	WPS400-7-V-CH-AA	4	A	4.50	7.00	-	12.88	2.00
WPS500-3/5-V-AA	WPS500-3/5-V-CH-AA	5	B	5.00	3.00	5.00	10.38	2.00
WPS500-5-V-AA	WPS500-5-V-CH-AA	5	A	5.03	5.00	-	11.00	2.00
WPS500-5/7-V-AA	WPS500-5/7-V-CH-AA	5	B	5.00	5.00	7.00	12.88	2.00
WPS500-7-V-AA	WPS500-7-V-CH-AA	5	A	5.00	7.00	-	12.88	2.00
WPS600-3/5-V-AA	WPS600-3/5-V-CH-AA	6	B	5.50	3.00	5.00	10.38	2.00
WPS600-5-V-AA	WPS600-5-V-CH-AA	6	A	5.50	5.00	-	11.50	2.50
WPS600-5/7-V-AA	WPS600-5/7-V-CH-AA	6	B	5.50	5.00	7.00	12.88	2.00
WPS600-7-V-AA	WPS600-7-V-CH-AA	6	A	5.50	7.00	-	12.88	2.00