

### DOSSERT® TYPE WPSSL-V-AA

#### Aluminum Welded Bus Support, Slide or Fixed Type

Pipe or bus tube is welded to support. Designed for 500 kV service. The support is then bolted directly into the insulator. Bolt sleeves allow the whole support to slide on the insulator. Bolt sleeves for rigid fix support can be ordered.

#### Material

Aluminum Alloy

#### Mounting Hardware

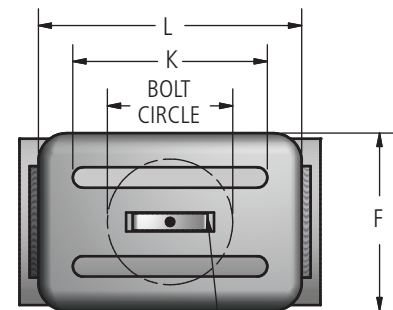
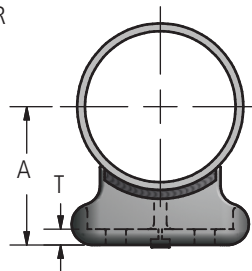
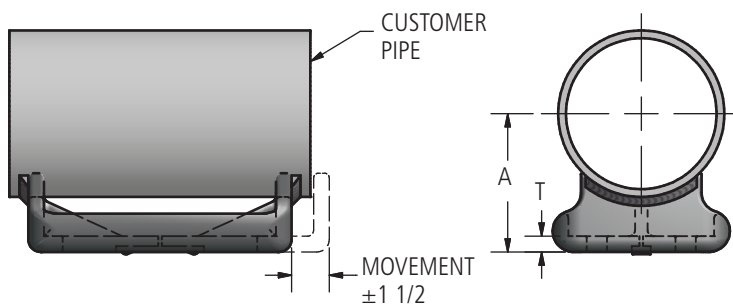
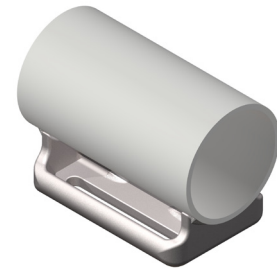
Galvanized steel bolts and lockwashers.

#### Notes

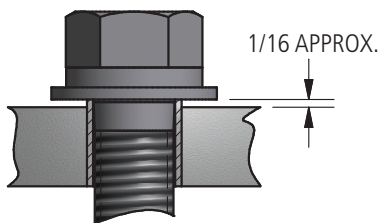
Add "-R" to catalog number for rigid fit order:  
WPSSL300-5-R-V-AA

Add "-SR" for slip and rigid fix order:  
WPSSL300-5-SR-V-AA

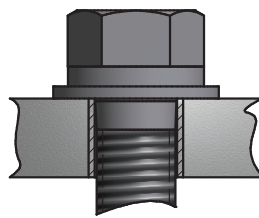
For chatter spring add "-CH" to catalog number  
order: WPSSL300-5-CH-V-AA



"-CH" CHATTER SPRING - ST. STEEL  
(FOR ASSEMBLY TYPE 1 ONLY)



SLIDE BUS SUPPORT  
ASSEMBLY 1



RIGID FIXED BUS SUPPORT  
ASSEMBLY 2

## DOSSERT® TYPE WPSL-V-AA

Aluminum Welded Bus Support, Slide or Fixed Type

### Ordering Information

CATALOG NUMBER		SPS ALUM	BOLT CIRCLE	DIMENSIONS IN INCHES					BOLT SIZE
REGULAR	WITH CHATTER SPRING			A	F	K	L	T	
WPSL250-3-V-AA	WPSL250-3-CH-V-AA	2 1/2	3	3 1/8	4 3/4	5 1/2	8 1/2	1/2	1/2
WPSL250-5-V-AA	WPSL250-5-CH-V-AA	2 1/2	5	3 1/8	6 3/4	7 1/2	10 1/2	1/2	5/8
WPSL250-7-V-AA	WPSL250-7-CH-V-AA	2 1/2	7	3 1/8	8 3/4	9 1/2	12 1/2	1/2	3/4
WPSL300-3-V-AA	WPSL300-3-CH-V-AA	3	3	3 5/8	4 3/4	5 1/2	8 1/2	1/2	1/2
WPSL300-5-V-AA	WPSL300-5-CH-V-AA	3	5	3 5/8	6 3/4	7 1/2	10 1/2	1/2	5/8
WPSL300-7-V-AA	WPSL300-7-CH-V-AA	3	7	3 5/8	8 3/4	9 1/2	12 1/2	1/2	3/4
WPSL350-3-V-AA	WPSL350-3-CH-V-AA	3 1/2	3	4	4 3/4	5 1/2	8 1/2	5/8	1/2
WPSL350-5-V-AA	WPSL350-5-CH-V-AA	3 1/2	5	4	6 3/4	7 1/2	10 1/2	5/8	5/8
WPSL350-7-V-AA	WPSL350-7-CH-V-AA	3 1/2	7	4	8 3/4	9 1/2	12 1/2	5/8	3/4
WPSL400-3-V-AA	WPSL400-3-CH-V-AA	4	3	4 1/2	4 3/4	5 1/2	8 1/2	5/8	1/2
WPSL400-5-V-AA	WPSL400-5-CH-V-AA	4	5	4 1/2	6 3/4	7 1/2	10 1/2	5/8	5/8
WPSL400-7-V-AA	WPSL400-7-CH-V-AA	4	7	4 1/2	8 3/4	9 1/2	12 1/2	5/8	3/4
WPSL500-3-V-AA	WPSL500-3-CH-V-AA	5	3	5	4 3/4	5 1/2	8 1/2	5/8	1/2
WPSL500-5-V-AA	WPSL500-5-CH-V-AA	5	5	5	6 3/4	7 1/2	10 1/2	5/8	5/8
WPSL500-7-V-AA	WPSL500-7-CH-V-AA	5	7	5	8 3/4	9 1/2	12 1/2	5/8	3/4
WPSL600-3-V-AA	WPSL600-3-CH-V-AA	6	3	5 1/2	4 3/4	5 1/2	8 1/2	5/8	1/2
WPSL600-5-V-AA	WPSL600-5-CH-V-AA	6	5	5 1/2	6 3/4	7 1/2	10 1/2	5/8	5/8
WPSL600-7-V-AA	WPSL600-7-CH-V-AA	6	7	5 1/2	8 3/4	9 1/2	12 1/2	5/8	3/4
WPSL800R-3-V-AA	WPSL800R-3-CH-V-AA	8" O.D.	3	6 1/2	4 3/4	5 1/2	8 1/2	5/8	1/2
WPSL800R-5-V-AA	WPSL800R-5-CH-V-AA	8" O.D.	5	6 1/2	6 3/4	7 1/2	10 1/2	5/8	5/8
WPSL800R-7-V-AA	WPSL800R-7-CH-V-AA	8" O.D.	7	6 1/2	8 3/4	9 1/2	12 1/2	5/8	3/4