

DOSSERT® TYPE WXBC-HV-AA

Welded Expansion Bus Support Rated for 500 kV

Material

Aluminum Alloy

Mounting Hardware

Galvanized mounting hardware included.

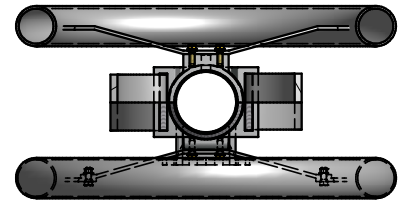
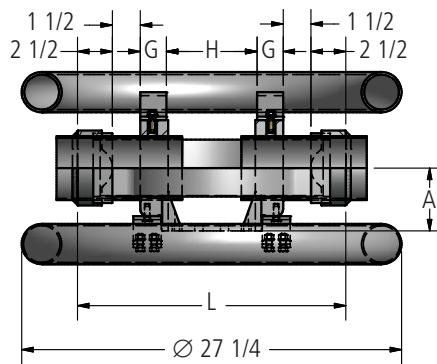
Hardware

Stainless steel bolts, lockwashers, and flatwashers.

Notes

For chatter spring add "-CH" to catalog number, order: WXBC500-5-HV-CH-AA.

For end plugs add "-WP" to catalog number, order: WXBC500-5-HV-AA-WP.



Ordering Information

CATALOG NUMBER		SPS	SCHEDULE NUMBER	BOLT CIRCLE	DIMENSIONS IN INCHES			
STANDARD	WITH CHATTER SPRING				A	G	H	L
WXBC400-5-HV-AA	WXBC400-5-HV-CH-AA	4	40	5	4 1/2	2	6 1/4	18 1/4
WXBC400-7-HV-AA	WXBC400-7-HV-CH-AA	4	40	7	4 1/2	2	8 1/2	20 1/2
WXBC400E-5-HV-AA	WXBC400E-5-HV-CH-AA	4	80	5	4 1/2	2	6 1/4	18 1/4
WXBC400E-7-HV-AA	WXBC400E-7-HV-CH-AA	4	80	7	4 1/2	2	8 1/2	20 1/2
WXBC500-5-HV-AA	WXBC500-5-HV-CH-AA	5	40	5	5	2	6 1/4	18 1/4
WXBC500-7-HV-AA	WXBC500-7-HV-CH-AA	5	40	7	5	2	8 1/2	20 1/2
WXBC500E-5-HV-AA	WXBC500E-5-HV-CH-AA	5	80	5	5	2	6 1/4	18 1/4
WXBC600-5-HV-AA	WXBC600-5-HV-CH-AA	6	40	5	5 1/2	2	6 1/4	18 1/4
WXBC600-7-HV-AA	WXBC600-7-HV-CH-AA	6	40	7	5 1/2	2	8 1/2	20 1/2
WXBC600E-5-HV-AA	WXBC600E-5-HV-CH-AA	6	80	5	5 1/2	2	6 1/4	18 1/4
WXBC800E-5-S-HV-AA	WXBC800E-5-S-HV-CH-AA	8	80	5	6 7/8	2	6 1/4	18 1/4
WXBC800R-5-S-HV-AA	WXBC800R-5-S-HV-CH-AA	8" OD	-	5	7 1/2	2	6 1/4	18 1/4
WXBC800R-7-S-HV-AA	WXBC800R-7-S-HV-CH-AA	8" OD	-	7	7 1/2	2 1/2	9 1/8	22 1/8

Each item should be either SCH 40 or SCH 80 (E).