

DOSSERT® TYPE BPA-75-V-AA

75-Degree Bolted Tee

Bolted tee connector at 75° is designed to be corona free for 345 kV and 525 kV service.

Material

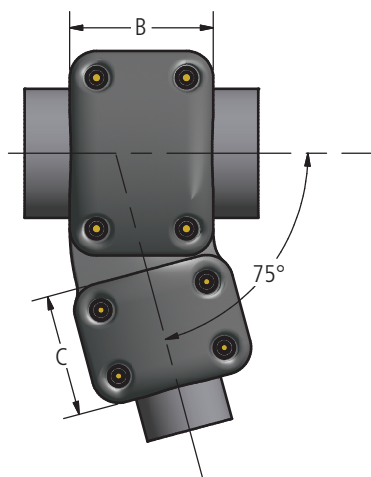
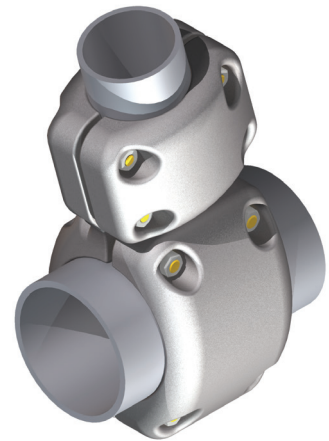
Aluminum Alloy

Hardware

Yellow anodized aluminum nuts, bolts, and lockwashers.

Notes

- For Stainless Steel bolt, lockwasher and Everdur nut, add "-SSHBN" to catalog number.
EX: BPA200-200-75-V-AA-SSHBN



Ordering Information

CATALOG NUMBER	PIPE SIZE		DIMENSIONS IN INCHES	
	RUN	TAP	B	C
BPA200-200-75-V-AA	2	2	5	5
BPA250-125-75-V-AA	2 1/2	1 1/4	4 1/8	4 1/8
BPA250-250-75-V-AA	2 1/2	2 1/2	4 1/8	4 1/8
BPA300-300-75-V-AA	3	3	5	5
BPA400-200-75-V-AA	4	2	6	5
BPA400-400-75-V-AA	4	4	6	6
BPA500-300-75-V-AA	5	3	5 3/4	5
BPA500-400-75-V-AA	5	4	5 3/4	6
BPA600-300-75-V-AA	6	3	5	5
BPA600-350-75-V-AA	6	3 1/2	5	4 7/8
BPA800R-500-75-V-AA	8 OD	5	6	5 3/4
BPA800-300-75-V-AA	8	3	4 3/4	5