

DOSSERT® TYPE VBP-30-V-AA

30 Degree Bolted Tee Rated for 500 kV

Material

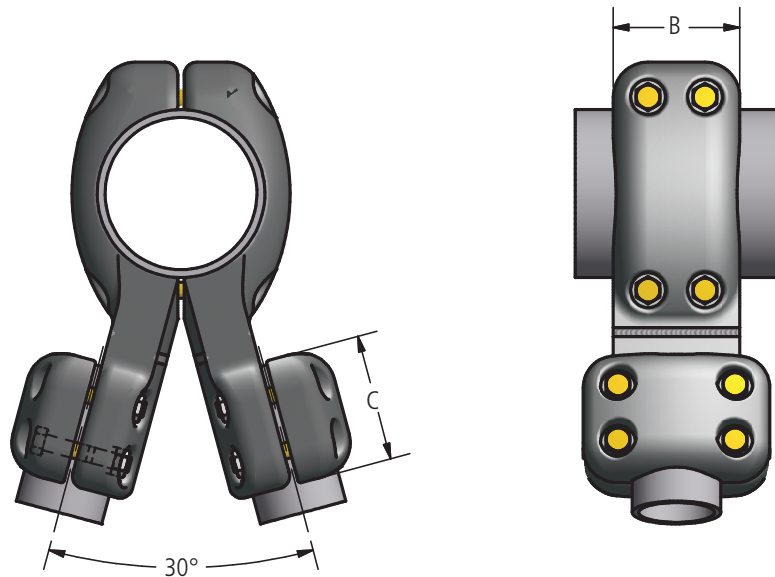
Aluminum

Hardware

Aluminum nuts, bolts and lockwashers.

Notes

- For Stainless Steel Hardware add "-SS" to catalog number. EX: VBP250-125-V-AA-SS
- For Stainless Steel bolts, lockwashers and Everdur nuts add "-SSHBN" to catalog number.
EX: VBP250-125-V-AA-SSHBN
- For Grade Five Galvanized Steel Hardware add "-GS5" to catalog number.
EX: VBP250-125-V-AA-GS5



Ordering Information

CATALOG NUMBER	SPS		DIMENSIONS IN INCHES		BOLT SIZE
	RUN	TAP	B	C	
VBP250-125-30-V-AA	2 1/2	1 1/4	4 1/8	4 1/8	1/2
VBP250-250-30-V-AA	2 1/2	2 1/2	4 1/8	4 1/8	1/2
VBP400-200-30-V-AA	4	2	6	5	5/8
VBP400-300-30-V-AA	4	3	6	6	5/8
VBP400-400-30-V-AA	4	4	6	6	5/8
VBP500-300-30-V-AA	5	3	5 3/4	5	5/8
VBP500-400-30-V-AA	5	4	4	6	5/8
VBP600-300-30-V-AA	6	3	5	6	5/8