

DOSSERT® TYPE PFTS-N-V-AA

Bolted Pipe Tee to Four-Hole Pad

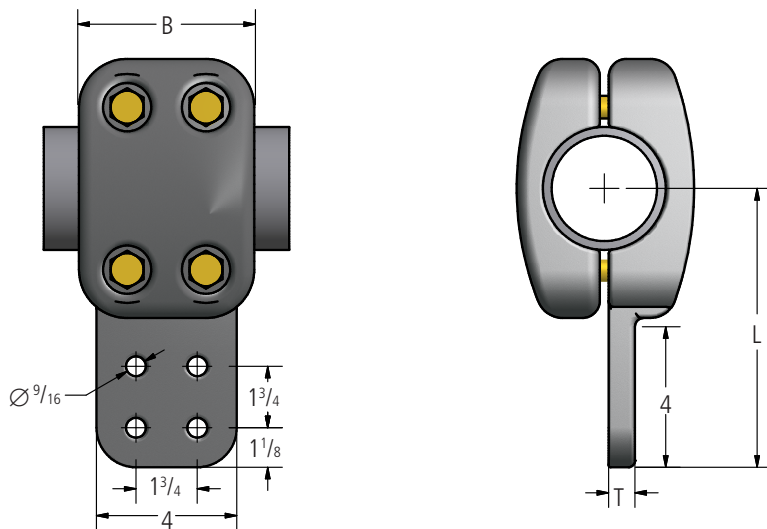
A clamp type tee connector for joining a bus to a tubular bus main. Special bearing surfaces insure maximum contact efficiency. Designed for 345 kV and 500 kV service.

Material

Aluminum Alloy

Hardware

Yellow anodized aluminum nuts, bolts, and lockwashers.



Ordering Information

CATALOG NUMBER	SPS	DIMENSIONS IN INCHES			BOLT SIZE
		B	L	T	
PFTS250-4N4-V-AA	2 1/2	4 1/8	7 5/16	3/4	1/2
PFTS300-4N4-V-AA	3	5	7 15/16	3/4	5/8
PFTS350-4N4-V-AA	3 1/2	5	8	7/8	5/8
PFTS400-4N4-V-AA	4	5	8 1/2	7/8	5/8
PFTS500-4N4-V-AA	5	5	9 5/16	1	5/8
PFTS600-4N4-V-AA	6	5	9 7/16	1	5/8

345/500 kV
Tee Connectors