

DOSSERT[®] TYPE TP-N-V-AA, TPA-N-90-V-AA

Bolted Terminal to Pipe Rated for 500 kV

Bolted terminal for installation to pipe.

Material

Aluminum Alloy

Hardware

Yellow anodized aluminum nuts, bolts, and lockwashers.

Notes

For a 3" pipe with a 4" terminal pad, at 90°, high voltage, use TPA300-4N4-90-V-AA.



TP-N-V-AA



TPA-N-90-V-AA

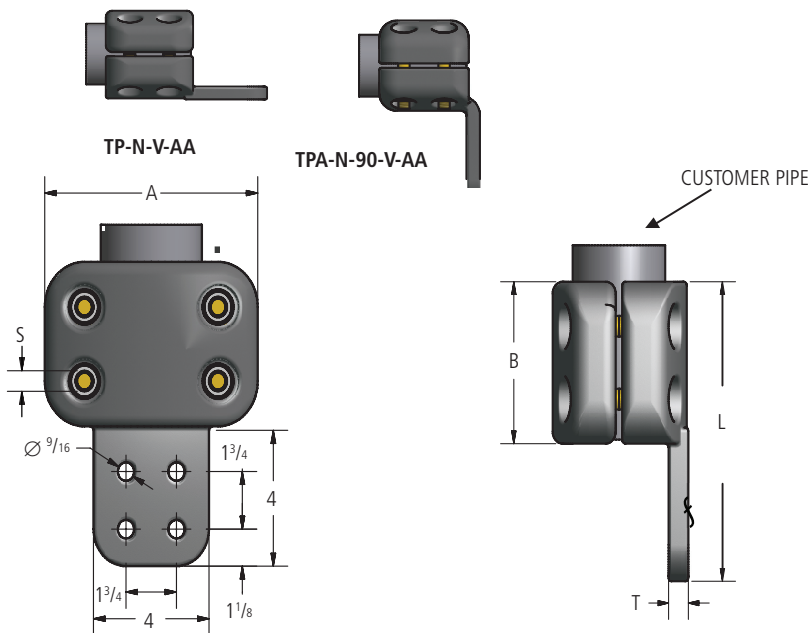


Fig. 1

Fig. 2

DOSSERT®

TYPE TP-N-V-AA, TPA-N-90-V-AA

Bolted Terminal to Pipe Rated for 500 kV

Ordering Information

CATALOG NUMBER		SPS	FIG. NO.	DIMENSIONS IN INCHES				
STANDARD	90 DEG			A	B	L	S	T
TP250-4N4-V-AA	TPA250-4N4-90-V-AA	2 1/2	1	5 3/4	4 1/2	9	1/2	3/4
TP300-4N4-V-AA	TPA300-4N4-90-V-AA	3	1	7 3/8	5	9 1/2	5/8	3/4
TP350-4N4-V-AA	TPA350-4N4-90-V-AA	3 1/2	1	7 7/8	5	9 1/2	5/8	7/8
TP400-4N4-V-AA	TPA400-4N4-90-V-AA	4	1	8 3/8	5	9 1/2	5/8	7/8
TP400-6N4-V-AA	TPA400-6N4-90-V-AA	4	2	8 3/8	5	9 1/2	5/8	7/8
TP500-4N4-V-AA	TPA500-4N4-90-V-AA	5	1	9 1/4	5	9 1/2	5/8	1 1/8
TP500-6N4-V-AA	TPA500-6N4-90-V-AA	5	2	9 9/16	6 1/4	10 5/8	5/8	1 1/8
TP600-4N4-V-AA	TPA600-4N4-90-V-AA	6	1	10 3/8	5	9 1/2	5/8	1 1/4
TP600-6N4-V-AA	TPA600-6N4-90-V-AA	6	2	10 5/8	6 1/4	10 1/2	5/8	1 1/4
TP800R-4N4-V-AA	TPA800R-4N4-90-V-AA	8 OD	1	11 1/4	6	10 1/2	5/8	1 1/2
TP800-4N4-V-AA	TP800-4N4-90-V-AA	8	1	11	6	10 1/2	5/8	1 1/2