

## DOSSERT<sup>®</sup> TYPE BPC-V-AA

### Bolted Tee, Pipe to Cable

A clamp type tee connector for joining a cable to a tubular bus main. Designed to be corona free for 345 kV and 500 kV service. Special bearing surfaces insure maximum contact efficiency.

#### Material

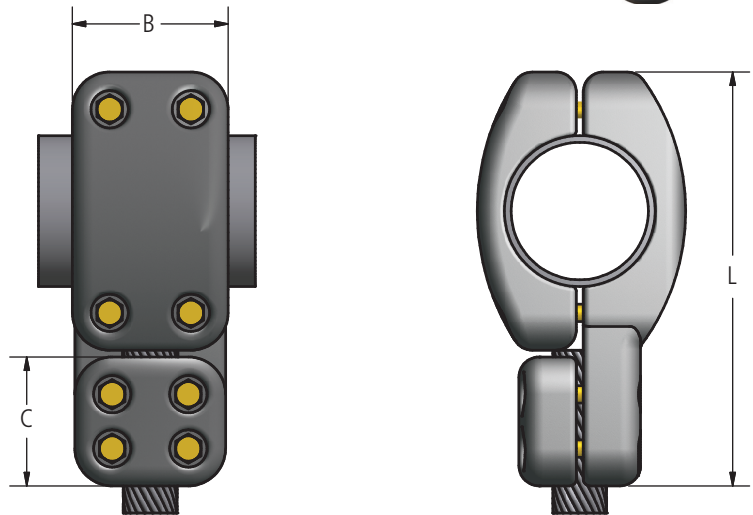
Aluminum Alloy

#### Hardware

Yellow anodized aluminum nuts, bolts and lockwashers.

#### Notes

- For stainless steel bolts, lockwashers and Everdur nuts, add "-SSHBN" to catalog number.  
EX: BPC600-127-V-AA-SSHBN
- For grade five galvanized steel hardware, add "-GS5" to catalog number. EX: BPC600-127-V-AA-GS5



345/500 kV  
Tee Connectors

### Ordering Information

CATALOG NUMBER	SPS	CABLE RANGE			DIMENSIONS IN INCHES			BOLT SIZE
		ALUMINUM		ACSR	B	C	L	
		MIN	MAX					
BPC250-79-V-AA	2 1/2	750 MCM	795 MCM	636 (18/1;24/7;26/7)	4 1/2	4 1/2	10 3/8	1/2
BPC250-95-V-AA	2 1/2	800 MCM	954 MCM	495 (47/7;24/7;26/7)	4 1/2	4 1/2	10 3/8	1/2
BPC250-127-V-AA	2 1/2	1113 MCM	1272 MCM	1113 (45/7)(54/19)	4 1/2	4 1/2	10 3/8	1/2
BPC300-95-V-AA	3	800 MCM	954 MCM	495 (47/7;24/7;26/7)	4 3/4	4 1/2	12	5/8
BPC300-160-V-AA	3	1500 MCM	1600 MCM	1431 (45/7;54/19) 1351.5 (54/19)	4 3/4	4 3/4	12	5/8
BPC350-127-V-AA	3 1/2	1113 MCM	1272 MCM	1113 (45/7)(54/19)	4 3/4	4 1/2	13	1/2
BPC400-180-V-AA	4	1700 MCM	1800 MCM	1590 (45/7)(54/9)	5	4 3/4	13 3/8	5/8
BPC450-200-V-AA	4.5	1900 MCM	2000 MCM	1780 (84/19) 1843.2 MCM	5	4 3/4	13 3/4	5/8
BPC500-180-V-AA	5	1700 MCM	1800 MCM	1590 (45/7)(54/9)	5 3/4	4 3/4	14 7/16	5/8
BPC500-250-V-AA	5	2400 MCM	2500 MCM	2156 (84/19)	5 3/4	4 3/4	14 7/16	5/8
BPC500-300-V-AA	5	2750 MCM	3000 MCM	2515 (76/19)	5 3/4	4 3/4	14 7/16	5/8
BPC500-350-V-AA	5	3250 MCM	3500 MCM	3015 (54/19)	5 3/4	4 3/4	14 7/16	5/8
BPC600-127-V-AA	6	1113 MCM	1272 MCM	1113 (45/7)(54/19)	5	4 1/2	14 7/8	5/8
BPC600-160-V-AA	6	1500 MCM	1600 MCM	1431 (45/7;54/19) 1351.5 (54/19)	5	4 3/4	15 3/8	5/8
BPC600-200-V-AA	6	1900 MCM	2000 MCM	1780 (84/19) & 1843.2 MCM	5	4 3/4	15 5/16	5/8
BPC600-300-V-AA	6	2750 MCM	3000 MCM	2515(76/19)	5	4 3/4	15 5/16	5/8

## DOSSERT® TYPE 3500-EHV

### Tee Adapter

Bolted-compression tee adapters are designed to have better corona characteristics than the conductors on which it is installed. Designed to be corona free for 345 kV and 500 kV service. Contact surfaces are protected with oxide inhibitor.

### Material

Aluminum Alloy

### Mounting Hardware

Galvanized steel bolts and lockwashers.

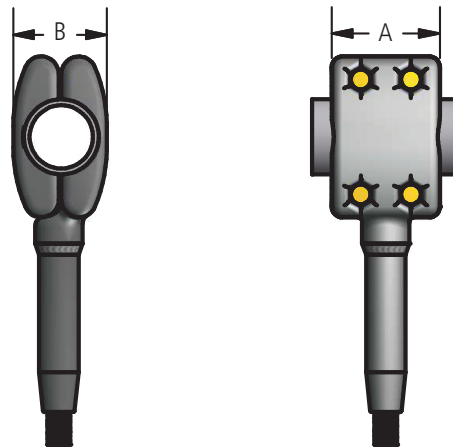
### Hardware

Yellow anodized aluminum bolts, nuts, and lockwashers.

### Notes

Connector is ordered by combining partial catalog number for pipe run (Table 1) with partial catalog number for stranded branch (Table 2).

Example: 6" SPS run to 1590 KCM (1.454") tap. Order by Cat. No. "3513.3-38.156EHV"



## Ordering Information

PARTIAL CATALOG NUMBER	RUN CONDUCTOR SIZE SPS & EHPS	BRANCH CONDUCTOR DIAMETER RANGE ACSR OR STR. ALUM.	DIMENSIONS IN INCHES		NO. OF BOLTS	PARTIAL WEIGHT RUN
			A	B		
3508.1	3	1.026 - 1.196	5.12	4.56	4	7.2
3508.2	3	1.212 - 1.417	5.12	4.56	4	7.4
3508.3	3	1.424 - 1.545	5.12	4.56	4	7.5
3509.1	3 1/2	1.026 - 1.196	5.12	5.12	4	11.1
3509.2	3 1/2	1.212 - 1.417	5.12	5.12	4	11.3
3509.3	3 1/2	1.424 - 1.545	5.12	5.12	4	11.4
3510.1	4	1.026 - 1.196	5.12	5.62	4	15.0
3510.2	4	1.212 - 1.417	5.12	5.62	4	15.2
3510.3	4	1.424 - 1.545	5.12	5.62	4	15.3
3512.2	5	1.212 - 1.417	11.80	6.62	6	18.8
3512.3	5	1.424 - 1.545	11.80	6.62	6	19.0
3512.4	5	1.602 - 1.823	11.80	6.62	6	19.1
3513.2	6	1.212 - 1.417	11.80	7.69	6	20.0
3513.3	6	1.424 - 1.545	11.80	7.69	6	20.2
3513.4	6	1.602 - 1.823	11.80	7.69	6	20.3

**DOSSERT®**

**TYPE 3500-EHV**

**Tee Adapter**

**Ordering Information (cont.)**

TABLE 2						
PARTIAL CATALOG NUMBER	CONDUCTOR			DIE SIZE	PARTIAL WEIGHT RUN	
	KCMIL	STRAND				LBS
		AL	ST			
-30.109 EHV	795.0	37 & 61	-	1.026	30 AH	1.7
-30.116 EHV	795.0	26	7	1.108	30 AH	1.6
-30.122 EHV	954.0	37 & 61	-	1.124	30 AH	1.6
-30.122 EHV	954.0	45	7	1.165	30 AH	1.5
-30.125 EHV	954.0	54	7	1.196	30 AH	1.5
-34.128 EHV	1033.5	45	7	1.212	34 AH	2.3
-34.128 EHV	1113.0	61	-	1.216	34 AH	2.3
-34.128 EHV	1195.5	45	7	1.302	34 AH	2.1
-36.144 EHV	1272.0	45	7	1.345	36 AH	2.6
-36.147 EHV	1351.5	45	7	1.385	36 AH	2.4
-38.156 EHV	1590.0	61 & 91	-	1.454	38 AH	2.9
-40.162 EHV	1590.0	45	7	1.504	40 AH	3.4
-42.178 EHV	1780.0	84	19	1.602	42 AH	3.9
-44.184 EHV	2156.0	84	19	1.7625	44 AH	3.6
-44.188 EHV	2500.0	91	-	1.823	44 AH	3.4

345/500 kV  
Tee Connectors