

DOSSERT[®] TYPE BPC-V-AA

Bolted Tee, Pipe to Cable

A clamp type tee connector for joining a cable to a tubular bus main. Designed to be corona free for 345 kV and 500 kV service. Special bearing surfaces insure maximum contact efficiency.

Material

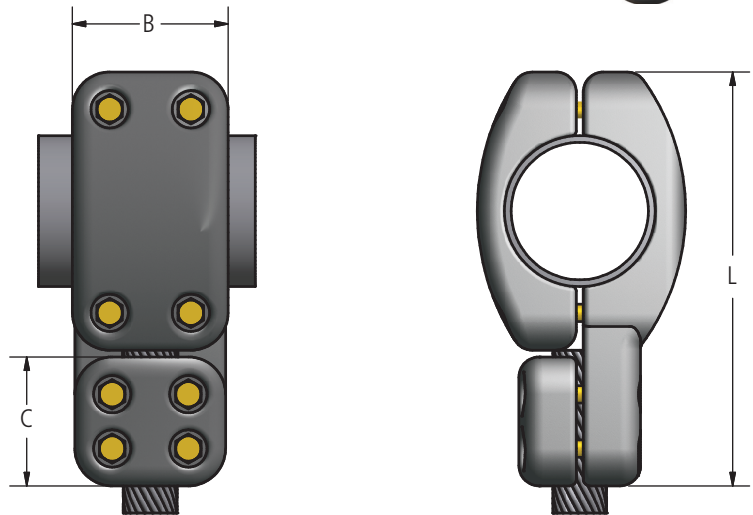
Aluminum Alloy

Hardware

Yellow anodized aluminum nuts, bolts and lockwashers.

Notes

- For stainless steel bolts, lockwashers and Everdur nuts, add "-SSHBN" to catalog number.
EX: BPC600-127-V-AA-SSHBN
- For grade five galvanized steel hardware, add "-GS5" to catalog number. EX: BPC600-127-V-AA-GS5



345/500 kV
Tee Connectors

Ordering Information

CATALOG NUMBER	SPS	CABLE RANGE			DIMENSIONS IN INCHES			BOLT SIZE
		ALUMINUM		ACSR	B	C	L	
		MIN	MAX					
BPC250-79-V-AA	2 1/2	750 MCM	795 MCM	636 (18/1;24/7;26/7)	4 1/2	4 1/2	10 3/8	1/2
BPC250-95-V-AA	2 1/2	800 MCM	954 MCM	495 (47/7;24/7;26/7)	4 1/2	4 1/2	10 3/8	1/2
BPC250-127-V-AA	2 1/2	1113 MCM	1272 MCM	1113 (45/7)(54/19)	4 1/2	4 1/2	10 3/8	1/2
BPC300-95-V-AA	3	800 MCM	954 MCM	495 (47/7;24/7;26/7)	4 3/4	4 1/2	12	5/8
BPC300-160-V-AA	3	1500 MCM	1600 MCM	1431 (45/7;54/19) 1351.5 (54/19)	4 3/4	4 3/4	12	5/8
BPC350-127-V-AA	3 1/2	1113 MCM	1272 MCM	1113 (45/7)(54/19)	4 3/4	4 1/2	13	1/2
BPC400-180-V-AA	4	1700 MCM	1800 MCM	1590 (45/7)(54/9)	5	4 3/4	13 3/8	5/8
BPC450-200-V-AA	4.5	1900 MCM	2000 MCM	1780 (84/19) 1843.2 MCM	5	4 3/4	13 3/4	5/8
BPC500-180-V-AA	5	1700 MCM	1800 MCM	1590 (45/7)(54/9)	5 3/4	4 3/4	14 7/16	5/8
BPC500-250-V-AA	5	2400 MCM	2500 MCM	2156 (84/19)	5 3/4	4 3/4	14 7/16	5/8
BPC500-300-V-AA	5	2750 MCM	3000 MCM	2515 (76/19)	5 3/4	4 3/4	14 7/16	5/8
BPC500-350-V-AA	5	3250 MCM	3500 MCM	3015 (54/19)	5 3/4	4 3/4	14 7/16	5/8
BPC600-127-V-AA	6	1113 MCM	1272 MCM	1113 (45/7)(54/19)	5	4 1/2	14 7/8	5/8
BPC600-160-V-AA	6	1500 MCM	1600 MCM	1431 (45/7;54/19) 1351.5 (54/19)	5	4 3/4	15 3/8	5/8
BPC600-200-V-AA	6	1900 MCM	2000 MCM	1780 (84/19) & 1843.2 MCM	5	4 3/4	15 5/16	5/8
BPC600-300-V-AA	6	2750 MCM	3000 MCM	2515(76/19)	5	4 3/4	15 5/16	5/8