

DOSSERT® TYPE C2SWB-V-AA Cable Support Clamp

Two-conductor strain bus support is designed to be corona free for 500 kV service.

Material

Aluminum Alloy

Hardware

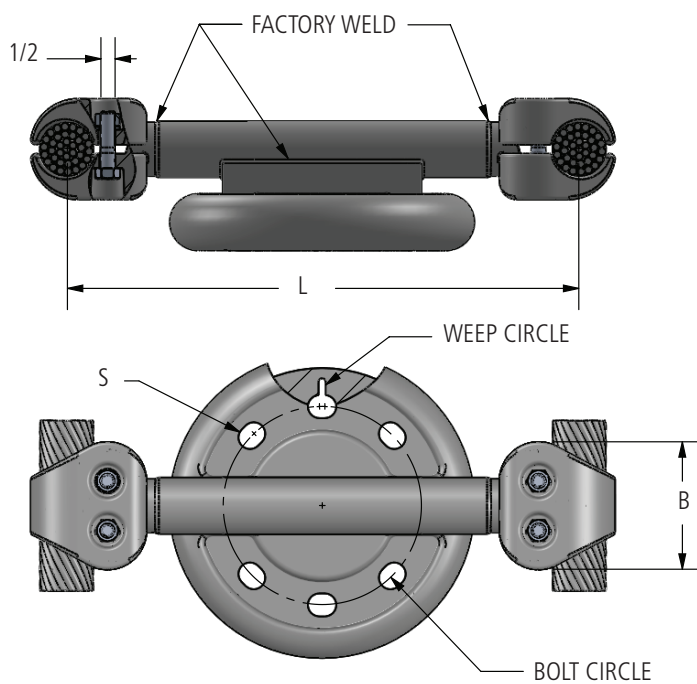
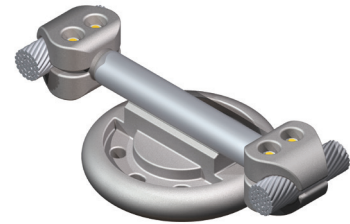
Aluminum bolts, lockwashers and nuts.

Mounting Hardware

Galvanized steel bolts and lockwashers.

Notes

1. For Stainless Steel Hardware, add "-SS" to catalog number.
Example: C2SWB360-8-2-V-AA-SS
2. For Stainless Steel Bolts, Lockwashers and Everdur nuts, add "-SSHBN" to catalog number. Example: C2SWB250-8-5-V-AA-SSHBN



DOSSERT® TYPE C2SWB-V-AA Cable Support Clamp

Ordering Information

CATALOG NUMBER	CABLE RANGE			BOLT CIRCLE	DIMENSIONS IN INCHES		
	ALUMINUM		ACSR		B	S	L
	MIN	MAX					
C2SWB79-12-5-V-AA	750MCM	795MCM	636 (18/1) (24/7) (26/7)	5	2	11/16	12
C2SWB79-18-5-V-AA	750MCM	795MCM	636 (18/1) (24/7) (26/7)	5	2	11/16	18
C2SWB95-8-5-V-AA	800MCM	954MCM	795 (45/7) (24/7) (26/7)	5	2	11/16	8
C2SWB95-10-5-V-AA	800MCM	954MCM	795 (45/7) (24/7) (26/7)	5	2	11/16	10
C2SWB95-12-5-V-AA	800MCM	954MCM	795 (45/7) (24/7) (26/7)	5	2	11/16	12
C2SWB95-18-5-V-AA	800MCM	954MCM	795 (45/7) (24/7) (26/7)	5	2	11/16	18
C2SWB95-18-7-V-AA	800MCM	954MCM	795 (45/7) (24/7) (26/7)	7	2	13/16	18
C2SWB103-6-5-V-AA	1000MCM	1033.5MCM	954 (45/7) (54/7)	5	2	11/16	6
C2SWB103-6-7-V-AA	1000MCM	1033.5MCM	954 (45/7) (54/7)	7	2	13/16	6
C2SWB103-12-5-V-AA	1000MCM	1033.5MCM	954 (45/7) (54/7)	5	2	11/16	12
C2SWB103-12-7-V-AA	1000MCM	1033.5MCM	954 (45/7) (54/7)	7	2	13/16	12
C2SWB103-18-5-V-AA	1000MCM	1033.5MCM	954 (45/7) (54/7)	5	2	11/16	18
C2SWB103-18-7-V-AA	1000MCM	1033.5MCM	954 (45/7) (54/7)	7	2	13/16	18
C2SWB127-12-5-V-AA	1113MCM	1272MCM	1033(54/7), 1113 (45/7) (54/19)	5	4 1/2	11/16	12
C2SWB127-12-7-V-AA	1113MCM	1272MCM	1033(54/7), 1113 (45/7) (54/19)	7	4 1/2	13/16	12
C2SWB127-18-5-V-AA	1113MCM	1272MCM	1033(54/7), 1113 (45/7) (54/19)	5	4 1/2	11/16	18
C2SWB127-18-7-V-AA	1113MCM	1272MCM	1033(54/7), 1113 (45/7) (54/19)	7	4 1/2	13/16	18
C2SWB143-12-5-V-AA	1300MCM	1431MCM	1272 (45/7) (54/19)	5	4 1/2	11/16	12
C2SWB143-18-5-V-AA	1300MCM	1431MCM	1272 (45/7) (54/19)	5	4 1/2	11/16	18
C2SWB143-18-7-V-AA	1300MCM	1431MCM	1272 (45/7) (54/19)	7	4 1/2	13/16	18
C2SWB160-6-5-V-AA	1500MCM	1600MCM 1272 ROPE L.	1431 (45/7) (54/19)	5	4 1/2	11/16	6
C2SWB160-6-7-V-AA	1500MCM	1600MCM 1272 ROPE L.	1431 (45/7) (54/19)	7	4 1/2	11/16	6
C2SWB160-12-5-V-AA	1500MCM	1600MCM 1272 ROPE L.	1431 (45/7) (54/19)	5	4 1/2	11/16	12
C2SWB160-12-7-V-AA	1500MCM	1600MCM 1272 ROPE L.	1431 (45/7) (54/19)	7	4 1/2	11/16	12
C2SWB160-18-5-V-AA	1500MCM	1600MCM 1272 ROPE L.	1431 (45/7) (54/19)	5	4 1/2	11/16	18
C2SWB160-18-7-V-AA	1500MCM	1600MCM 1272 ROPE L.	1431 (45/7) (54/19)	7	4 1/2	13/16	18
C2SWB180-8-5-V-AA	1700MCM	1800MCM	1590 (45/7) (54/19)	5	4 1/2	11/16	8
C2SWB180-12-5-V-AA	1700MCM	1800MCM	1590 (45/7) (54/19)	5	4 1/2	11/16	12
C2SWB180-18-5-V-AA	1700MCM	1800MCM	1590 (45/7) (54/19)	5	4 1/2	11/16	18
C2SWB180-18-7-V-AA	1700MCM	1800MCM	1590 (45/7) (54/19)	7	4 1/2	13/16	18
C2SWB205-6-5-V-AA	2000MCM	2049MCM	1780(84/19), 2034.5(72/7)	5	4 1/2	11/16	6
C2SWB205-12-5-V-AA	2000MCM	2049MCM	1780(84/19), 2034.5(72/7)	5	4 1/2	11/16	12
C2SWB205-13-5-V-AA	2000MCM	2049MCM	1780(84/19), 2034.5(72/7)	5	4 1/2	11/16	13

DOSSERT[®] TYPE C2SWB-V-AA Cable Support Clamp

Ordering Information

CATALOG NUMBER	CABLE RANGE			BOLT CIRCLE	DIMENSIONS IN INCHES		
	ALUMINUM		ACSR		B	S	L
	MIN	MAX					
C2SWB205-18-5-V-AA	2000MCM	2049MCM	1780(84/19), 2034.5(72/7)	5	4 1/2	11/16	18
C2SWB205-18-7-V-AA	2000MCM	2049MCM	1780(84/19), 2034.5(72/7)	7	4 1/2	13/16	18
C2SWB205-43-5-V-AA	2000MCM	2049MCM	1780(84/19), 2034.5(72/7)	5	4 1/2	11/16	43
C2SWB240R-14-5-V-AA	—	2.40 O.D.	—	5	4 1/2	11/16	14
C2SWB250-8-5-V-AA	2250MCM	2500MCM	2156(84/19), 2300(96/19)	5	4 1/2	11/16	8
C2SWB250-12-5-V-AA	2250MCM	2500MCM	2156(84/19), 2300(96/19)	5	4 1/2	11/16	12
C2SWB250-13-5-V-AA	2250MCM	2500MCM	2156(84/19), 2300(96/19)	5	4 1/2	11/16	13
C2SWB250-14-7-V-AA	2250 MCM	2500MCM	2156(84/19), 2300(96/19)	7	4 1/2	11/16	14
C2SWB250-18-5-V-AA	2250MCM	2500MCM	2156(84/19), 2300(96/19)	5	4 1/2	11/16	18
C2SWB250-18-7-V-AA	2250MCM	2500MCM	2156(84/19), 2300(96/19)	7	4 1/2	13/16	18
C2SWB275-18-5-V-AA	—	2750MCM	2515(76/19)	5	4 1/2	11/16	18
C2SWB275-18-7-V-AA	—	2750MCM	2515(76/19)	7	4 1/2	13/16	18
C2SWB300-12-7-V-AA	2750MCM	3000MCM	—	7	4 1/2	13/16	12
C2SWB350-6-5-V-AA	—	3500MCM	—	5	5 1/2	11/16	6
C2SWB350-13-5-V-AA	—	3500 MCM	—	5	5 1/2	11/16	13