

## DOSSERT® TYPE BC-V-AA

### Tee Connector

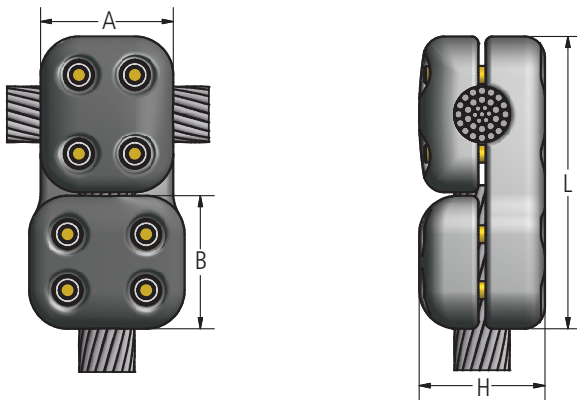
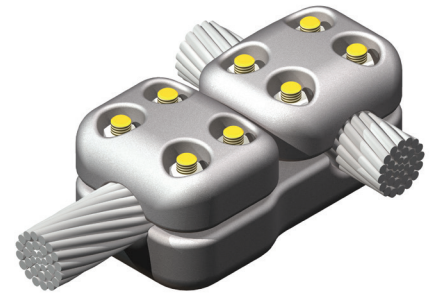
Tee connector is designed to be corona free for 500 kV service.

### Material

Aluminum Alloy

### Hardware

Yellow anodized aluminum nuts, bolts, and lockwashers.



## Ordering Information

CATALOG NUMBER	CABLE RANGE						DIMENSIONS IN INCHES			
	RUN			TAP			A	B	H	L
	ALUMINUM		ACSR	ALUMINUM		ACSR				
	MIN	MAX		MIN	MAX					
BC79-79-V-AA	750 MCM	795 MCM	636 (18/1;24/7;26/7)	750 MCM	795 MCM	636 (18/1;24/7;26/7)	4.50	4.50	3.38	8.75
BC95-95-V-AA	800 MCM	954 MCM	795 (47/7;24/7;26/7)	800 MCM	954 MCM	795 (47/7;24/7;26/7)	4.00	4.00	3.69	8.00
BC95A-95A-V-AA	-	954 MCM	954 (45/7;54/7)	-	954 MCM	954 (45/7;54/7)	4.50	4.50	3.69	9.13
BC103-103-V-AA	1000 MCM	1033.5 MCM	954 (45/7;54/7)	1000 MCM	1033.5 MCM	954 (45/7;54/7)	4.00	4.00	3.88	8.13
BC103-127-V-AA	1000 MCM	1033.5 MCM	954 (45/7;54/7)	1113 MCM	1272 MCM	1113 (45/7;54/7)	4.50	4.50	3.63	9.00
BC103-250-V-AA	1000 MCM	1033.5 MCM	954 (45/7;54/7)	-	2500 MCM	2156 (84/19)	4.50	4.50	4.00	9.00
BC127-79-V-AA	1113 MCM	1272 MCM	1113 (45/7;54/7)	750 MCM	795 MCM	636 (18/1;24/7;26/7)	4.50	4.50	3.63	9.06
BC127-95-V-AA	1113 MCM	1272 MCM	1113 (45/7;54/7)	800 MCM	954 MCM	795 (47/7;24/7;26/7)	4.00	4.50	3.63	9.06
BC127-127-V-AA	1113 MCM	1272 MCM	1113 (45/7;54/7)	1113 MCM	1272 MCM	1113 (45/7;54/7)	4.50	4.50	3.63	9.13
BC140-140-V-AA	1300 MCM	1400 MCM	1272 (45/7;54/19) 1351.5 (45/7)	1300 MCM	1400 MCM	1272 (45/7;54/19) 1351.5 (45/7)	4.50	4.50	3.50	9.13
BC140-200-V-AA	1300 MCM	1400 MCM	1272 (45/7;54/19) 1351.5 (45/7)	1900 MCM	2000 MCM	1780 (84/19)	4.50	4.50	3.63	9.13
BC160-160-V-AA	1500 MCM	1600 MCM	1431 (45/7;54/19) 1351.5 (54/19)	1500 MCM	1600 MCM	1431 (45/7;54/19) 1351.5 (54/19)	4.75	4.75	4.03	9.75

## DOSSERT®

### TYPE BC-V-AA

Tee Connector

#### Ordering Information

CATALOG NUMBER	CABLE RANGE						DIMENSIONS IN INCHES			
	RUN			TAP			A	B	H	L
	ALUMINUM		ACSR	ALUMINUM		ACSR				
	MIN	MAX		MIN	MAX					
BC180-180-V-AA	1700 MCM	1800 MCM	1590 (45/7;54/19)	1700 MCM	1800 MCM	1590 (45/7;54/19)	4.75	4.75	4.00	9.88
BC200-200-V-AA	1900 MCM	2000 MCM	1780 (84/19)	1900 MCM	2000 MCM	1780 (84/19)	4.75	4.75	4.00	9.88
BC205-95-V-AA	2000 MCM	2049 MCM	1780 (84/19) 2034 (72/7)	800 MCM	954 MCM	795 (47/7;24/7;26/7)	4.75	4.50	4.00	8.00
BC205-160-V-AA	2000 MCM	2049 MCM	1780 (84/19) 2034 (72/7)	1500 MCM	1600 MCM	1431 (45/7;54/19) 1351.5 (54/19)	4.75	4.75	4.00	9.63
BC205-205-V-AA	2000 MCM	2049 MCM	1780 (84/19) 2034 (72/7)	2000 MCM	2049 MCM	1780 (84/19) 2034 (72/7)	5.00	5.00	4.00	10.25
BC250-103-V-AA	-	2500 MCM	2156 (84/19)	1000 MCM	1033.5 MCM	954 (45/7;54/7)	4.50	4.50	3.81	9.63
BC250-160-V-AA	-	2500 MCM	2156 (84/19)	1500 MCM	1600 MCM	1431 (45/7;54/19) 1351.5 (54/19)	4.50	4.50	3.81	9.63
BC250-250-V-AA	-	2500 MCM	2156 (84/19)	-	2500 MCM	2156 (84/19)	4.50	4.50	3.81	9.63
BC250-350-V-AA	-	2500 MCM	2156 (84/19)	-	3500 MCM	-	4.50	4.50	4.25	9.63
BC300-160-V-AA	2750 MCM	3000 MCM	2515 (76/19)	1500 MCM	1600 MCM	1431 (45/7;54/19) 1351.5 (54/19)	4.75	4.75	4.75	9.88
BC300-300-V-AA	2750 MCM	3000 MCM	2515 (76/19)	2750 MCM	3000 MCM	2515 (76/19)	4.75	4.75	4.75	9.88
BC350-200-V-AA	-	3500 MCM	-	1900 MCM	2000 MCM	1780 (84/19)	5.50	4.75	4.50	10.63
BC350-350-V-AA	-	3500 MCM	-	-	3500 MCM	-	5.50	5.50	4.50	11.50