

DOSSERT® TYPE CFT-N-V-AA

Cable to Flat Tee Connector

Bolted tap is designed to be corona free for 345 kV and 500 kV operation when pad covers are used to shield terminal hardware.

Material

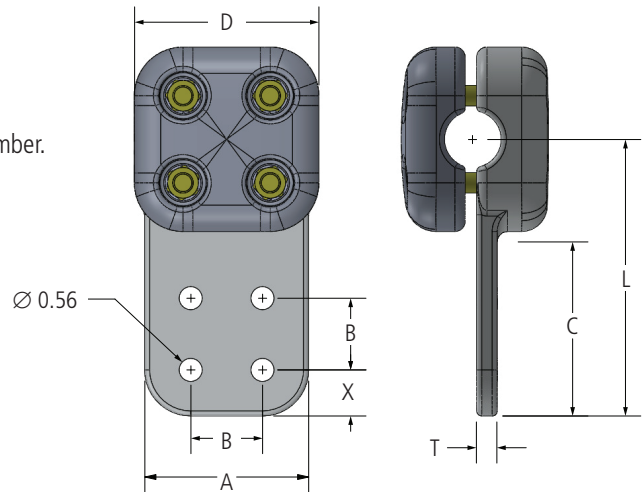
Aluminum Alloy

Hardware

Aluminum nuts, bolts and lockwashers.

Notes

- For Finished Surface on both sides of Pad, add "F" to catalog number.
EX: CFT79-4N4F-V-AA
- For Grade Five Galvanized Steel Hardware, add "-GS5" to catalog number.
EX: CFT79-4N4-V-AA-GS5
- For Hardware Shield, add "-CSBV" to catalog number.
EX: CFT79-4N4-V-AA-CSBV



Ordering Information

| CATALOG NO. | CABLE RANGE | | | | DIMENSIONS IN INCHES | | | | | | |
|------------------|-------------|------------|------------------------------------|---------------|----------------------|------|------|------|------|------|------|
| | MIN | MAX | ACSR | DIAMETER | A | B | C | D | L | T | X |
| CFT79-4N4-V-AA | 750 MCM | 795 MCM | 636 (18/1;24/7;26/7) | 0.940 - 1.026 | 4.00 | 1.75 | 4.00 | 4.50 | 6.38 | 0.50 | 1.13 |
| CFT95-4N4-V-AA | 800 MCM | 954 MCM | 795 (47/7;24/7;26/7) | 1.032 - 1.140 | 4.00 | 1.75 | 4.00 | 4.50 | 6.50 | 0.50 | 1.13 |
| CFT103-4N-V-AA | 1000 MCM | 1033.5 MCM | 954 (45/7) (54/7) | 1.151 - 1.196 | 3.00 | 1.75 | 3.00 | 4.50 | 5.63 | 0.50 | 0.63 |
| CFT103-4N4-V-AA | 1000 MCM | 1033.5 MCM | 954 (45/7) (54/7) | 1.151 - 1.196 | 4.00 | 1.75 | 4.00 | 4.50 | 6.63 | 0.50 | 1.13 |
| CFT127-4N4-V-AA | 1113 MCM | 1272 MCM | 1033.5 (54/7), 1113 (45/7) (54/19) | 1.216 - 1.300 | 4.00 | 1.75 | 4.00 | 4.50 | 6.75 | 0.50 | 1.13 |
| CFT140-4N4-V-AA | 1300 MCM | 1400 MCM | 1272 (45/7) (54/19) | 1.315 - 1.382 | 4.00 | 1.75 | 4.00 | 4.50 | 6.75 | 0.50 | 1.13 |
| CFT160-4N4-V-AA | 1500 MCM | 1600 MCM | 1431 (45/7) (54/19) | 1.413 - 1.464 | 4.00 | 1.75 | 4.00 | 4.75 | 6.75 | 0.50 | 1.13 |
| CFT180-4N4-V-AA | 1700 MCM | 1800 MCM | 1590 (45/7) (54/19) | 1.504 - 1.545 | 4.00 | 1.75 | 4.00 | 4.75 | 6.75 | 0.69 | 1.13 |
| CFT180-4S4-V-AA | 1700 MCM | 1800 MCM | 1590 (45/7) (54/19) | 1.504 - 1.545 | 4.00 | 2.00 | 4.00 | 4.75 | 6.75 | 0.69 | 1.00 |
| CFT200-4N4-V-AA | 1900 MCM | 2000 MCM | 1780 (84/19) | 1.631 | 4.00 | 1.75 | 4.00 | 4.75 | 6.88 | 0.75 | 1.13 |
| CFT216A-4N4-V-AA | — | — | 2156 | 1.762 | 4.00 | 1.75 | 4.00 | 4.75 | 5.75 | 0.75 | 1.13 |
| CFT250-4N4-V-AA | 2400 MCM | 2500 MCM | 2156 (84/19) | 1.762 - 1.823 | 4.00 | 1.75 | 4.00 | 4.75 | 7.00 | 0.75 | 1.13 |
| CFT300-4N4-V-AA | 2750 MCM | 3000 MCM | 2515 (76/19) | 1.912 - 1.880 | 4.00 | 1.75 | 4.00 | 4.75 | 7.00 | 1.00 | 1.13 |
| CFT350-4N4-V-AA | — | 3500 MCM | — | 2.158 | 4.00 | 1.75 | 4.00 | 4.75 | 7.25 | 1.00 | 1.13 |