

DOSSERT® TYPE 38400-EHV, 38500-EHV

Spacers (Cable) Recommended for Voltages up to 500 kV

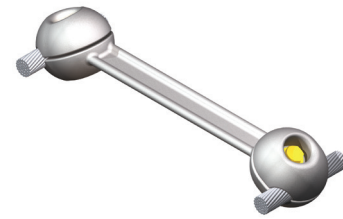
Bi-spacer is designed to be corona free for 345 kV service for conductors through 1.5" diameter and 500 kV for larger diameter conductors. Tri-spacer is designed to be corona free for 500 kV service. Bi-spacer is companion to 38200 series support. Tri-spacer is companion to 38300 series. Rigid spacers are not recommended for use on transmission lines.

Material

Aluminum Alloy

Hardware

Yellow anodized aluminum bolts, nuts, and lockwashers.

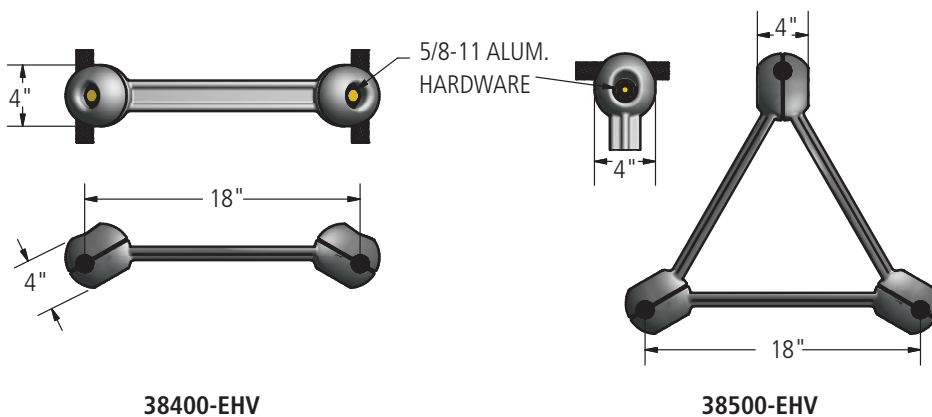


38400-EHV



38500-EHV

345/500 kV
Spacer Clamps



38400-EHV

38500-EHV

Ordering Information

CATALOG NUMBER		CABLE RANGE			NOMINAL WEIGHT LBS	
BI-SPACER	TRI-SPACER	DIAMETER	AAC	ACSR	BI-SPACER	TRI-SPACER
38401EHV	38501EHV	1.001 - 1.062	795	636 (30/19) - 715 (26/7)	4.9	9.4
38402EHV	38502EHV	1.063 - 1.130	900 - 954	795 (45/7) - 795 (26/7)	5.1	10.0
38403EHV	38503EHV	1.131 - 1.196	1000 - 1033.5	900 (45/7) - 954 (54/7)	4.9	9.4
38404EHV	38504EHV	1.197 - 1.252	1113	1033 (45/7) - 1033 (54/7)	5.0	9.7
38405EHV	38505EHV	1.253 - 1.312	1192.5 - 1272	1113 (45/7) - 1192.5 (45/7)	5.0	9.7
38406EHV	38506EHV	1.313 - 1.375	1351.5	1192.5 (54/19) - 1272 (45/7)	5.0	9.7
38407EHV	38507EHV	1.376 - 1.437	1431 - 1510.5	1272 (54/19) - 1431 (45/7)	5.0	9.7
38408EHV	38508EHV	1.438 - 1.518	1590	1431 (54/19) - 1590 (45/7)	4.9	9.4
38409EHV	38509EHV	1.519 - 1.599	1750	1590 (54/19)	4.7	9.1
38410EHV	38510EHV	1.600 - 1.680	2000	1780 (84/19)	4.8	9.1
38411EHV	38511EHV	1.681 - 1.762	2250	2034 (72/7) - 2156 (84/19)	4.7	9.1
38412EHV	38512EHV	1.763 - 1.843	2500	2312 (76/19)	4.6	9.1