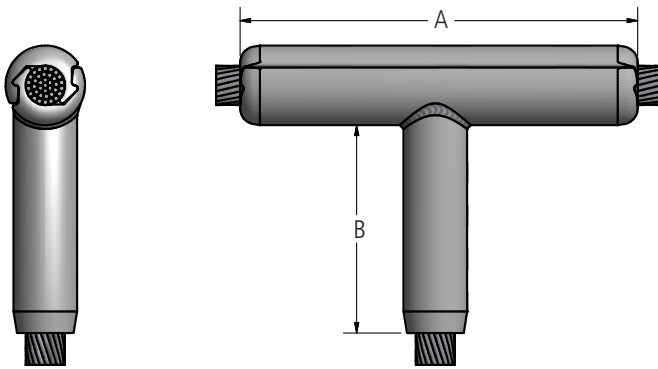


### DOSSERT® Type 2900-EHV

Substation tee connector is designed for limited space application as found in substations. Designed for 500 kV service. Run and tap lengths are shorter than conventional tee connectors which saves space and minimizes birdcaging problems. Tee connector is installed with standard AFL hex dies.

#### Material

Aluminum Alloy



### Ordering Information

CATALOG NUMBER	CONDUCTOR				DIMENSIONS IN INCHES		NOMINAL WEIGHT LBS	DIE SIZE
	RUN		TAP		A	B		
	DIAMETER	AAC RANGE	DIAMETER	AAC RANGE				
2930.1-30.1 EHV	1.021 - 1.196	795 - 1033.5	1.026 - 1.196	795 - 1033.5	10.00	5.67	2.9	30AH
2934.1-34.1 EHV	1.140 - 1.319	1000 - 1272	1.186 - 1.313	1113 - 1272	11.30	6.03	4.1	34AH
2936.1-36.1 EHV	1.340 - 1.417	1351.5 - 1510.5	1.314 - 1.399	1351.5 - 1431	11.50	6.29	4.6	36AH
2938.1-38.1 EHV	1.412 - 1.500	1510.5 - 1590	1.399 - 1.500	1510.5 - 1590	12.00	6.55	5.4	38AH
2940.1-40.1 EHV	1.496 - 1.557	1750.0	1.501 - 1.630	1750 - 2000	12.50	7.02	6.1	40AH
2942.1-42.1 EHV	1.550 - 1.625	-	1.630 - 1.681	2000	14.00	7.29	7.2	42AH
2944.1-44.1 EHV	1.626 - 1.717	2000 - 2250	1.630 - 1.681	2000	14.00	7.74	7.9	44AH
2944.2-44.2 EHV	1.718 - 1.842	2250 - 2500	1.669 - 1.823	2000 - 2500	15.00	7.74	8.1	44AH
2948.1-48.1 EHV	1.843 - 1.998	2750 - 3000	1.823 - 1.998	2500 - 3000	16.00	8.77	9.4	48AH