

DOSSERT® TYPE 5400

Tee Connector—Closed Run Compression for Stranded AAC and ACSR Conductions

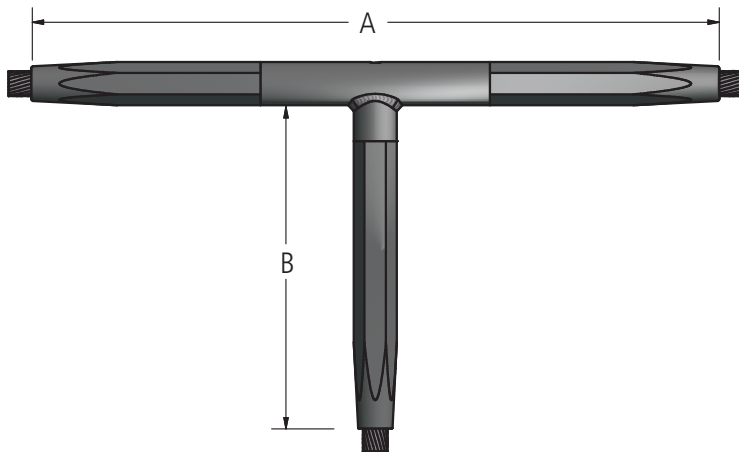
Designed for 500 kV service.

Material

Aluminum Alloy

Notes

Join the partial catalog numbers shown for the run and branch conductors.
EX: 5436.147-347.138



Ordering Information

RUN CONDUCTOR				
CATALOG NUMBER	CONDUCTOR RANGE		DIMENSIONS IN INCHES A	DIE SIZE
	AAC	ACSR		
5430.109	795-800	715.5(24/7)-795(36/1)	19.12	30AH
5430.116	900	795(45/7)-795(26/7)	19.12	30AH
5430.122	954-1033.5	795(30/19)-954(36/1)	19.12	30AH
5430.125	—	954(54/7)-1033.5(36/1)	19.12	30AH
5434.128	1113	1033.5(45/7)-1033.5(54/7)	20.12	34AH
5434.138	1272	1113(54/19)-1192.5(45/7)	20.12	34AH
5436.144	1351.5-1431	1192.5(54/19)-1272(45/7)	21.00	36AH
5436.147	1500-1510.5	1272(54/19)-1351.5(45/7)	21.00	36AH
5438.156	1590	1431(54/19)-1510.5(45/7)	21.88	38AH
5440.162	1750	1510.5(54/19)-1590(54/19)	22.75	40AH
5442.178	2000	1780(84/19)-2034.5(72/7)	23.62	42AH
5444.184	2338 ACAR	2156(72/7)	26.75	44AH
5444.188	2500	2312(76/19)	26.75	44AH

BRANCH CONDUCTOR				
CATALOG NUMBER	CONDUCTOR RANGE		DIMENSIONS IN INCHES B	DIE SIZE
	AAC	ACSR		
-30.109	795-800	715.5(24/7)-795(36/1)	9.44	30AH
-30.116	900	795(45/7)-795(26/7)	9.44	30AH
-30.122	954-1033.5	795(30/19)-954(36/1)	9.44	30AH
-30.125	—	954(54/7)-1033.5(36/1)	9.44	30AH
-34.128	1113	1033.5(45/7)-1033.5(54/7)	10.06	34AH
-34.138	1272	1113(54/19)-1192.5(45/7)	10.06	34AH
-36.144	1351.5-1431	1192.5(54/19)-1272(45/7)	10.62	36AH
-36.147	1500-1510.5	1272(54/19)-1351.5(45/7)	10.62	36AH
-38.156	1590	1431(54/19)-1510.5(45/7)	10.62	38AH
-40.162	1750	1510.5(54/19)-1590(54/19)	11.75	40AH
-42.178	2000	1780(84/19)-2034.5(72/7)	12.38	42AH
-44.184	2338 ACAR	2156(72/7)	12.00	44AH
-44.188	2500	2312(76/19)	12.00	44AH