

DOSSERT[®] TYPE 5500

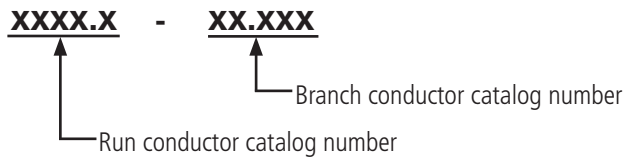
Tee Connector – Open Run – Compression for Stranded EC & ACSR Conductors

Designed for 500 kV service.

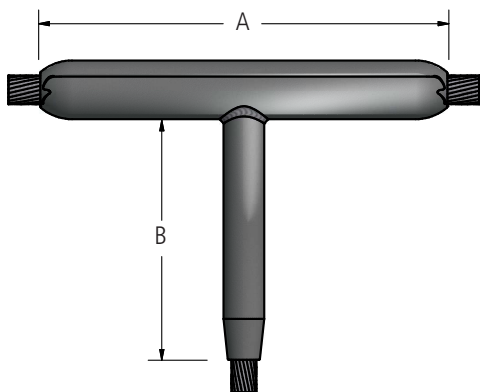
Material

Aluminum Alloy

To order combine Run conductor catalog number with Branch catalog number.



Example: for 795(36/1) Run conductor to 795(26/7)
Branch conductor order 5530.3 -30.116



Ordering Information

RUN CONDUCTOR						
CATALOG NUMBER	CONDUCTOR RANGE			DIMENSIONS IN INCHES	NOMINAL WEIGHT	DIE SIZE
	DIAMETER	AAC	ACSR	A		
5530.3	1.021-1.196	795-1033.5	715.5(24/7)-1033.5(36/1)	19.12	3.3	30AH
5534.3	1.197-1.319	1113-1300	1033.5(54/7)-1192.5(45/7)	20.12	4.5	34AH
5536.3	1.320-1.417	1351.5-1510.5	1192.5(54/19)-1351.5(45/7)	21.00	5.0	36AH
5538.3	1.412-1.500	1500-1590	1351.5(54/9)-1510.5(45/7)	21.88	5.9	38AH
5540.3	1.496-1.557	1750	1510.5(54/19)-1590(54/19)	22.75	6.6	40AH
5542.3	1.550-1.625	-	1780(84/19)	23.62	7.7	42AH
5544.3	1.626-1.842	2000-2500	2034(72/7)2312(76/19)	26.75	6.8	44AH

DOSSERT® TYPE 5500

Tee Connector – Open Run – Compression for Stranded EC & ACSR Conductors

Ordering Information cont.

BRANCH CONDUCTOR					
CATALOG NUMBER	CONDUCTOR RANGE		DIMENSIONS IN INCHES	NOMINAL WEIGHT	DIE SIZE
	AAC	ACSR	B		
-30.109	795-800	715.5(24/7)-795(36/1)	1.7	9.44	30AH
-30.116	900	795(45/7)-795(26/7)	1.7	9.44	30AH
-30.122	954-1033.5	795(30/19)-954(36/1)	1.7	9.44	30AH
-30.125	-	954(54/7)-1033.5(36/1)	1.7	10.06	30AH
-34.128	1113	1033.5(45/7)-1033.5(54/7)	2.2	10.06	34AH
-34.138	1272	1113(54/19)-1192.5(45/7)	2.2	10.06	34AH
-36.144	1351.5-1431	1192.5(54/19)-1272(45/7)	2.5	10.62	36AH
-36.147	1500-1510.5	1272(54/19)-1351.5(45/7)	2.5	10.62	36AH
-38.156	1590	1431(54/19)-1510.5(45/7)	3.0	11.19	38AH
-40.162	1750	1510.5(54/19)-1590(54/19)	3.4	11.75	40AH
-42.178	2000	1780(84/19)-2034.5(72/7)	3.9	12.38	42AH
-44.184	2338 ACAR	2156(72/7)	4.0	12.00	44AH
-44.188	2500	2312(76/19)	4.0	12.00	44AH