

## DOSSERT® TYPE 34600-EHV

Bolted ground stud is designed to be corona free for 345 kV and 500 kV service as noted in table. Bolted design provides ease of removal for future expansion or relocation.

### Material

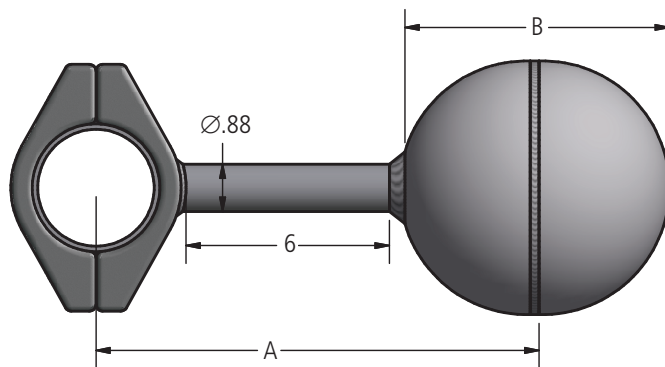
Aluminum Alloy

### Hardware

Yellow anodized aluminum bolts, nuts, and lockwashers.

### Notes

- For Stainless Steel bolts, lockwashers and Everdur nuts, add "-SSHBN" to catalog number. EX: 34668EHV-SSHBN



## Ordering Information

CATALOG NUMBER	SPS / EHPS	DIMENSIONS IN INCHES		NOMINAL WEIGHT LBS
		A	B	
<b>345 KV</b>				
34668 EHV	3	16.31	7.06	5.2
34669 EHV	3 1/2	16.56	7.06	5.3
34670 EHV	4	16.81	7.06	5.5
34672 EHV	5	17.34	7.06	5.8
34673 EHV	6	17.87	7.06	6.4
<b>500 KV</b>				
34688 EHV	3	21.25	12	13.3
34689 EHV	3 1/2	21.50	12	13.4
34690 EHV	4	21.75	12	13.6
34692 EHV	5	22.28	12	13.9
34693 EHV	6	22.81	12	14.5