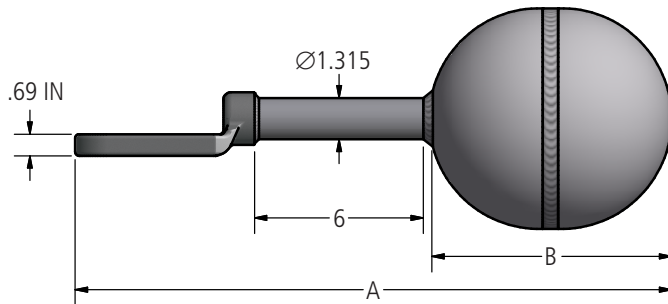
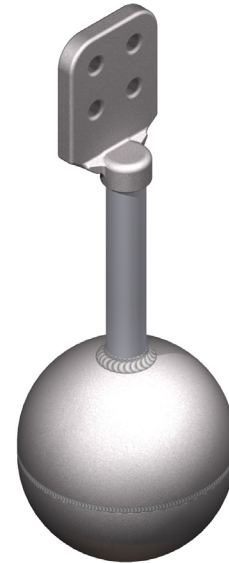
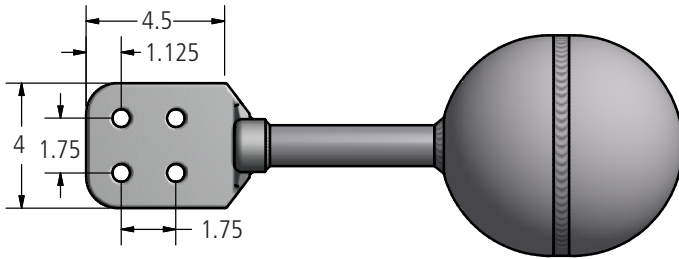


DOSSERT® TYPE 34620-EHV

Ground stud is designed to be corona free for 345 kV or 500 kV service, as noted in table, when pad covers are used to shield terminal hardware.

345/500 kV
Ground Jumpers



Ordering Information

CATALOG NUMBER	DIMENSIONS IN INCHES		VOLTAGE RATING	NOMINAL WEIGHT LBS
	A	B		
34620-EHV	21.50	7.06	345 kV	4.7
34625-EHV	26.19	12.00	500 kV	13.6