

DOSSERT® TYPE 34650-EHV

Bolted conductor ground stud is designed to have better corona characteristics than the conductor on which it is installed. Designed for 500 kV service. Bolted design provides ease of removal for future expansion or relocation. Ground stud is ordered by specifying catalog number and conductor.

Material

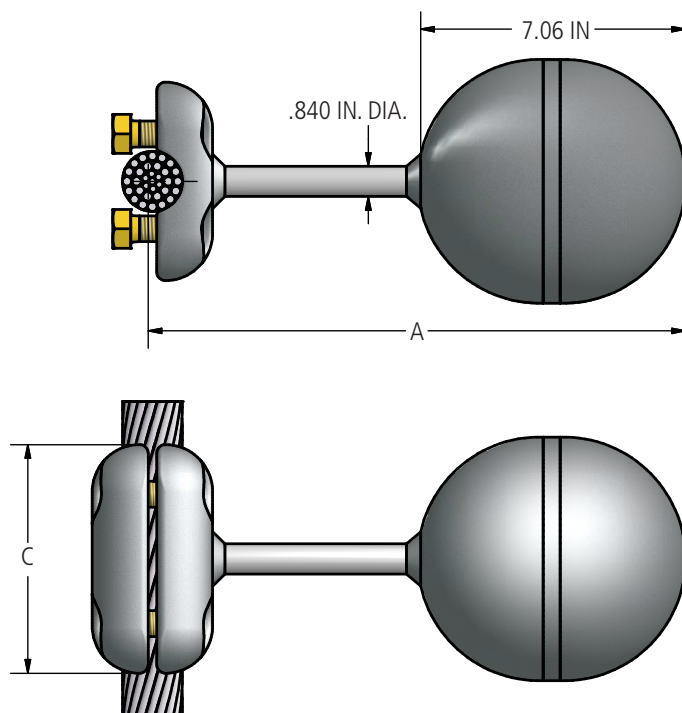
Aluminum Alloy

Hardware

Yellow anodized aluminum bolts, nuts, and lockwashers.



345/500 kV
Ground Jumpers



Ordering Information

CATALOG NUMBER	MAX CONDUCTOR DIAMETER	DIMENSIONS IN INCHES			NOMINAL WEIGHT LBS
		A	C	BOLT SIZE	
34653EHV	1.226	15.25	5.00	5/8	7.8
34654EHV	1.475	15.38	5.50	5/8	8.8
34655EHV	1.850	15.75	5.75	3/4	13.3