

DOSSERT® TYPE 35600-EHV

Parallel Groove Clamp

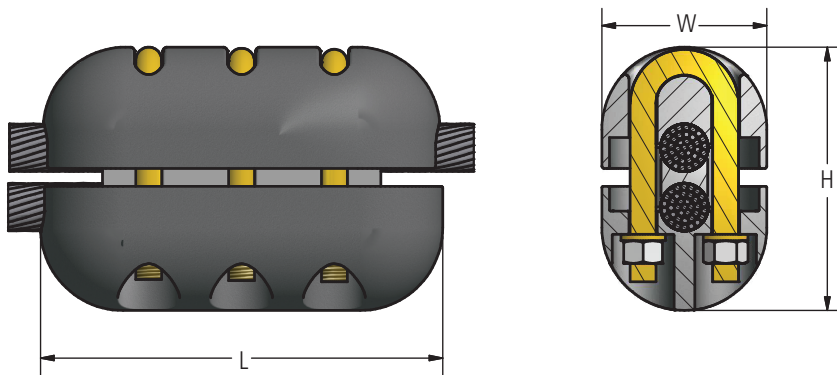
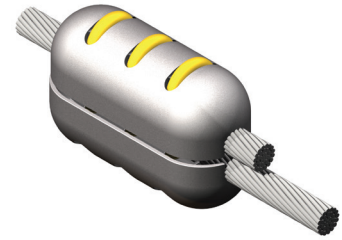
Bolted parallel groove clamp designed to have better corona characteristics than the conductors on which it is installed.

Material

Aluminum Alloy

Hardware

Yellow anodized aluminum nuts, U-bolts and lockwashers.



Ordering Information

CATALOG NUMBER	CONDUCTOR DIAMETER	DIMENSIONS IN INCHES			NO. OF BOLTS	NOMINAL WEIGHT LBS
		L	W	H		
35626 EHV	1.162	9.75	4.00	6.38	3	9.4
35627 EHV	1.569	11.75	5.00	6.94	3	14.5
35628 EHV	1.757	14.75	5.00	7.16	4	17.4