

DOSSERT® TYPE APT-V-AA

Terminal Connector

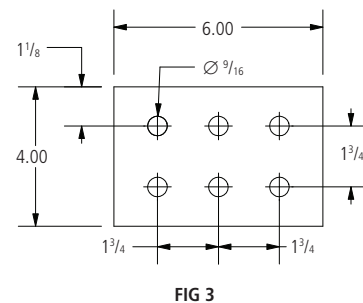
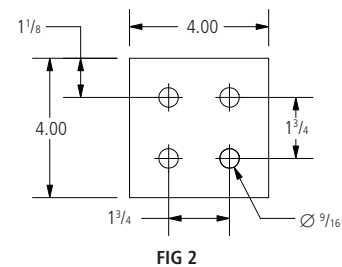
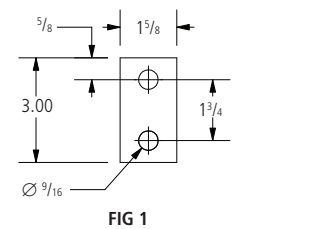
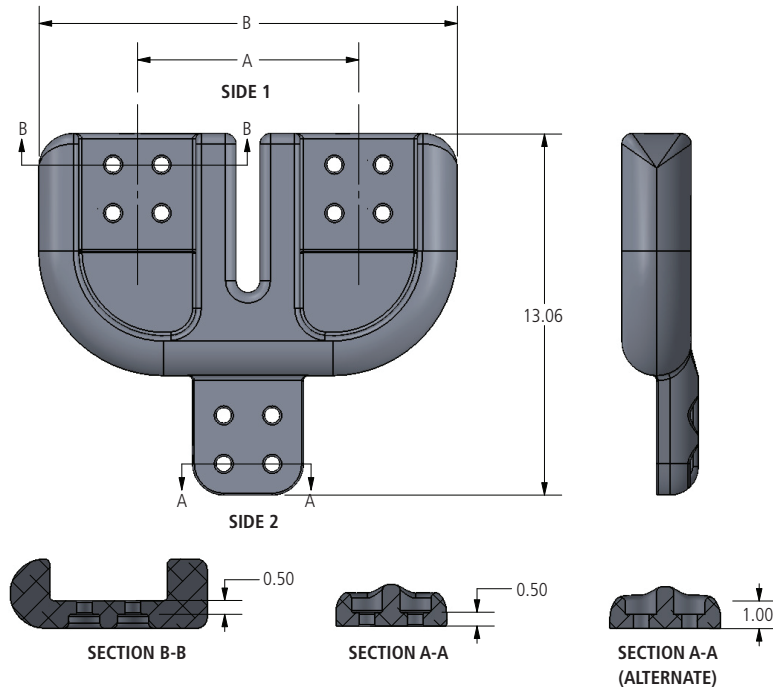
Expands one NEMA pad to two NEMA pads. Designed for 500 kV service. Useful for connecting twin lines.

Material

Aluminum Alloy

Notes

- For Mounting Hardware, add "-TMH" to catalog number. EX: APT6N4-18-V-AA-TMH
- For Hardware Shield, add "-CSBV" to catalog number. EX: APT6N4-18-V-AA-CSBV
- For Stainless Steel bolts, lockwashers and Everdur nuts, add "-SSHBN" to catalog number. EX: APT6N4-18-V-AA-SSHBN



Ordering Information

CATALOG NUMBER	FIGURE NUMBER		SECTION A-A	DIMENSIONS IN INCHES	
	SIDE 1	SIDE 2		A	B
APT2N4-8-V-AA	1	2	—	8.00	15.13
APT4N4-8-V-AA	2	2	—	8.00	15.13
APT4N4-12-V-AA	2	2	—	12.00	19.13
APT4N4-18-V-AA	2	2	—	18.00	25.13
APT4N4-6N4-8-V-AA	2	3	ALTERNATE	8.00	15.13
APT4N4-6N4-12-V-AA	2	3	—	12.00	19.13
APT4N4-6N4-18-V-AA	2	3	ALTERNATE	18.00	25.13
APT6N4-18-V-AA	3	3	—	18.00	27.13