

DOSSERT® TYPE APTV-N-V-AA

Terminal Connector

Expands one NEMA pad to two NEMA pads. Designed for 500 kV service. Useful for connecting twin lines.

Material

Aluminum Alloy

Notes

- For hardware shield, add "-CSBV" to catalog number order: APTV4N4-18-V-AA-CSBV.
- For mounting hardware, add "-TMH" and bolt length to catalog number order: APTV4N4-18-V-AA-TMH2-1/4

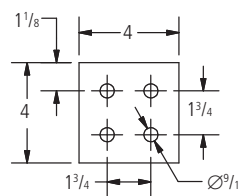
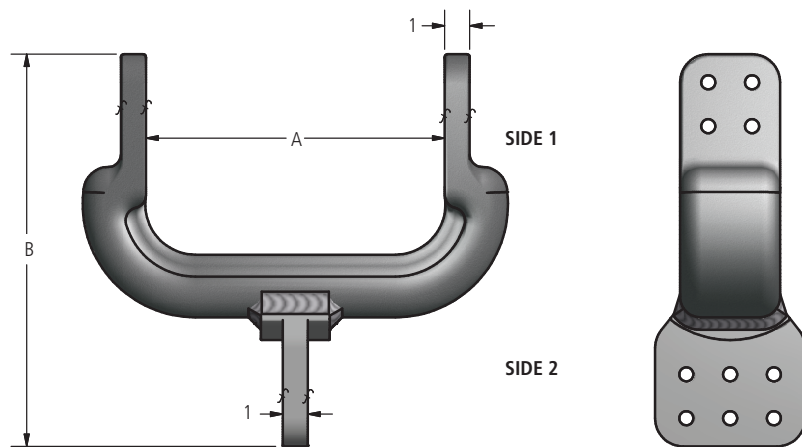
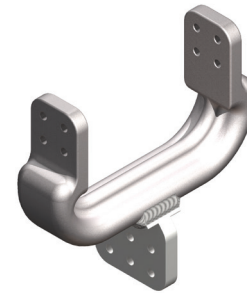


FIG 1

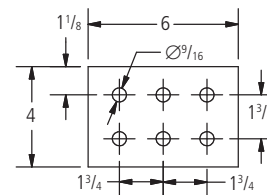


FIG 2

Ordering Information

CATALOG NUMBER	FIGURE NUMBER		DIMENSIONS IN INCHES	
	SIDE 1	SIDE 2	A	B
APTV-4N4-6-V-AA	1	1	6	15
APTV-4N4-8-V-AA	1	1	8	15
APTV-4N4-10-V-AA	1	1	10	15
APTV-4N4-12-V-AA	1	1	12	15
APTV-4N4-6N4-8-V-AA	1	2	8	15.66
APTV-4N4-6N4-12-V-AA	1	2	12	15.63
APTV-4N4-14-V-AA	1	1	14	15
APTV-4N4-16-V-AA	1	1	16	15
APTV-4N4-18-V-AA	1	1	18	15