

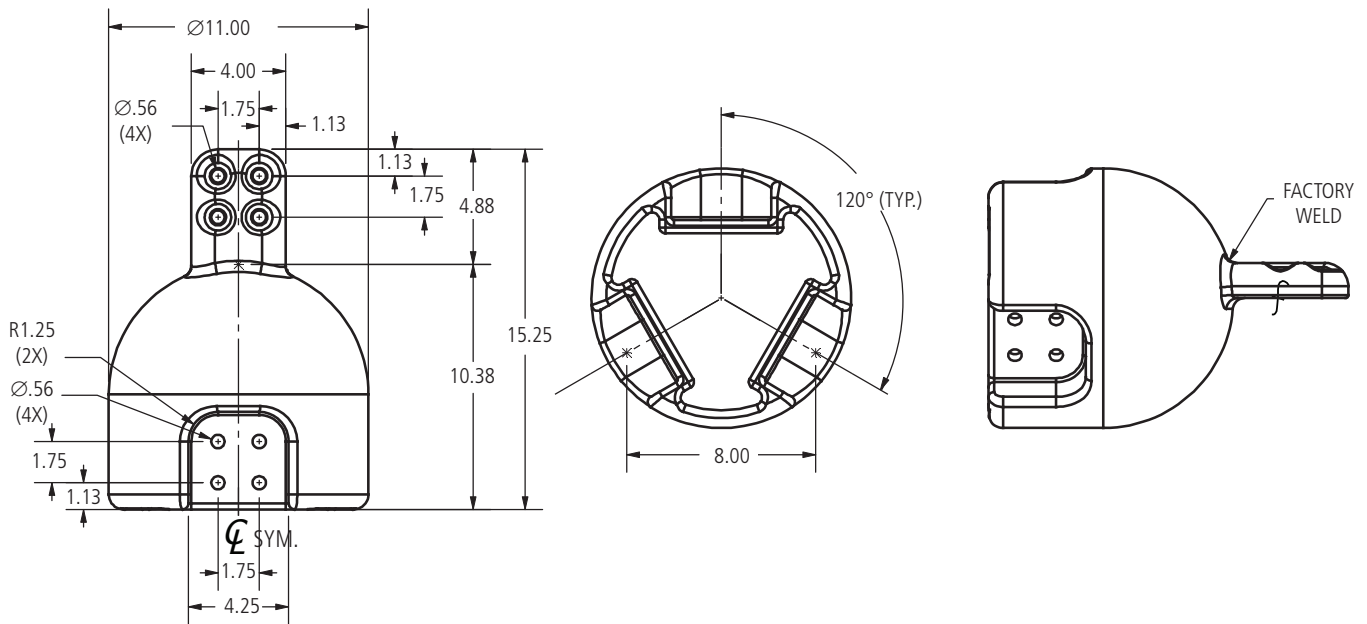
DOSSERT® TYPE TWTCC-4N4-8-V-AA

Three-Way Terminal Connector

Connects one four-hole or six-hole terminal to three four-hole terminals. 3600 amps at 30° rise over 40° ambient; 3848 amps at 40° rise over 40° ambient; 4082 amps at 50° rise over 40° ambient. Designed for 500 kV service.

Material

Aluminum Alloy



Ordering Information

Customer to order by catalog number **TWTCC-4N4-8-V-AA**.