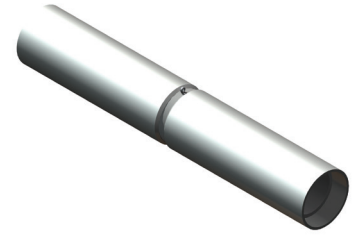


DOSSERT[®] TYPE WWC-AA, WWC-E-AA

Aluminum Welded Coupler Rated for 500 kV

Coupler is designed to make connections with high mechanical strength and high electrical conductivity.



Material

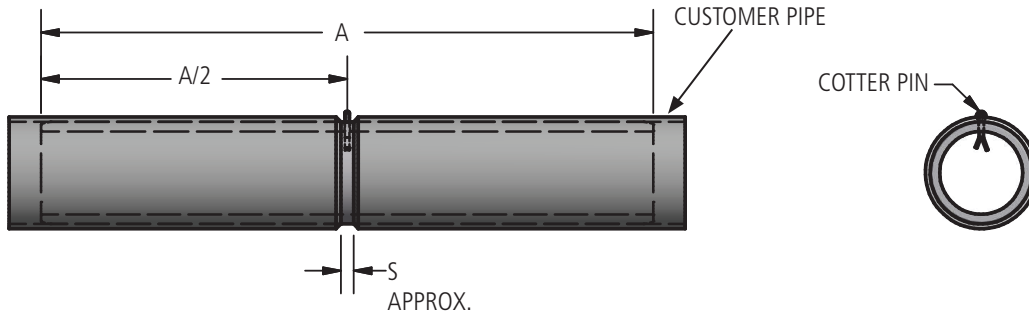
Aluminum tubing

Hardware

Aluminum cotter pin

Notes

For pipe sizes greater than 6 inch or special I.D. and O.D. applications, please contact AFL. A shorter version of this coupler is Type WS.



Ordering Information

CATALOG NUMBER		SPS / EPHS	DIMENSIONS (INCHES)	
SCHEDULE 40	SCHEDULE 80		A	S
WWC75-AA	WWC75E-AA	3/4	4-1/2	1/4
WWC100-AA	WWC100E-AA	1	6	1/4
WWC125-AA	WWC125E-AA	1-1/4	7-1/2	3/8
WWC150-AA	WWC150E-AA	1-1/2	9	3/8
WWC200-AA	WWC200E-AA	2	12	3/8
WWC250-AA	WWC250E-AA	2-1/2	15	1/2
WWC300-AA	WWC300E-AA	3	18	1/2
WWC350-AA	WWC350E-AA	3-1/2	21	1/2
WWC400-AA	WWC400E-AA	4	24	1/2
WWC450-AA	WWC450E-AA	4-1/2	24	1/2
WWC500-AA	WWC500E-AA	5	24	1/2
WWC600-AA	WWC600E-AA	6	24	5/8
WWC600-5/8-AA	—	6-5/8 WALL	12	5/8
WWC600R38-AA	—	6 OD 3/8 WALL	38	5/8
WWC800-AA	WWC800E-AA	8	24	5/8
WWC800R38-AA	—	8 OD 3/8 WALL	38	5/8
WWC800R-AA	—	8 OD 1/2 WALL	24	5/8
WWC800R9/32-AA	—	8 OD 9/32 WALL	12	5/8

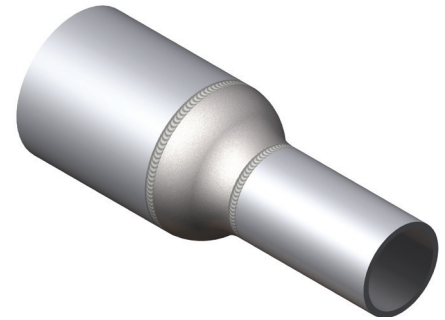
DOSSERT® TYPE WWCR-V-AA

Welded Reducing Coupler

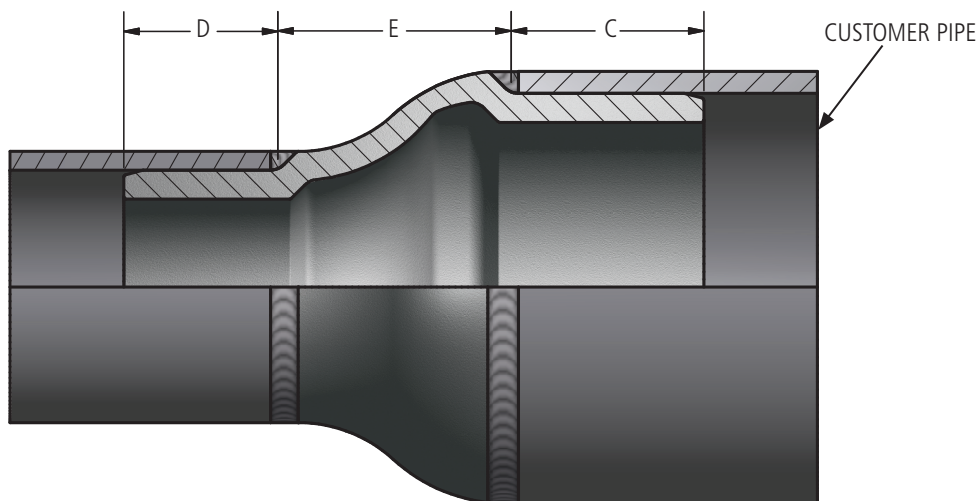
Reducing coupler for joining aluminum pipe of different diameters. Designed to be corona free for 500 kV service. Provides maximum structural reinforcement at the joint as well as neat and corona free installation. Pipe is easily aligned and held during welding.

Material

Aluminum Alloy



345/500 kV Couplers



Ordering Information

CATALOG NUMBER	SPS		DIMENSIONS IN INCHES		
	RUN	REDUCED	C	D	E
WWCR400-300-V-AA	4	3	2 1/4	2	1 5/16
WWCR400-350-V-AA	4	3 1/2	2 1/4	2	1
WWCR500-300-V-AA	5	3	2 1/2	2	3
WWCR500-350-V-AA	5	3 1/2	2 1/2	2	1 13/16
WWCR500-400-V-AA	5	4	2 1/2	2 1/4	1 3/8
WWCR500E-400E-V-AA	5 SCH80	4 SCH80	2 3/4	2 1/4	2 1/8
WWCR600-300-V-AA	6	3	3	2	2 1/2
WWCR600-350-V-AA	6	3 1/2	3	2	2 1/2
WWCR600-400-V-AA	6	4	3	2 1/4	2 3/4
WWCR600-500-V-AA	6	5	3	2 1/2	2 1/2
WWCR800R-400-V-AA	8 OD	4	4	3	3 5/16
WWCR800-500-V-AA	8	5	4	3	3