

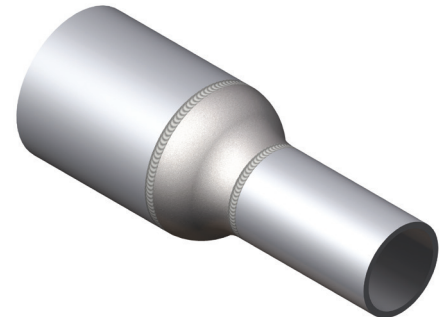
DOSSERT® TYPE WWCR-V-AA

Welded Reducing Coupler

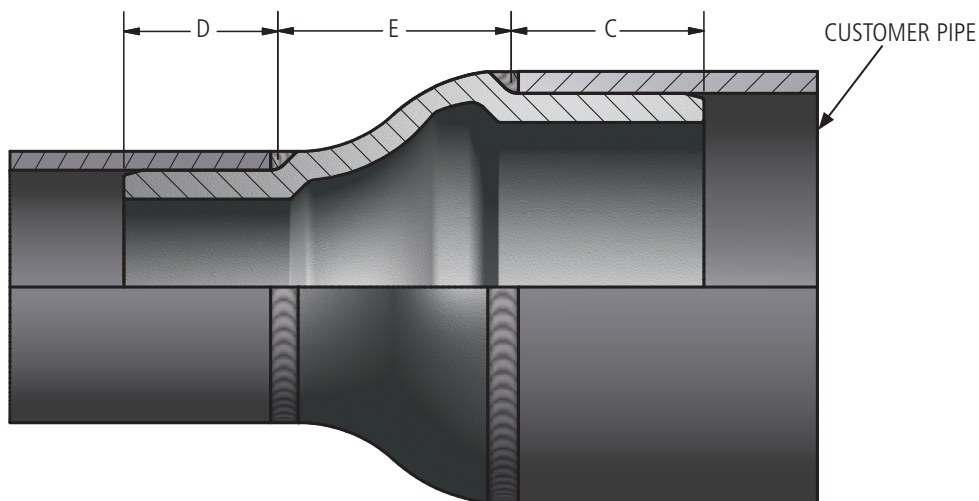
Reducing coupler for joining aluminum pipe of different diameters. Designed to be corona free for 500 kV service. Provides maximum structural reinforcement at the joint as well as neat and corona free installation. Pipe is easily aligned and held during welding.

Material

Aluminum Alloy



345/500 kV Couplers



Ordering Information

CATALOG NUMBER	SPS		DIMENSIONS IN INCHES		
	RUN	REDUCED	C	D	E
WWCR400-300-V-AA	4	3	2 1/4	2	1 5/16
WWCR400-350-V-AA	4	3 1/2	2 1/4	2	1
WWCR500-300-V-AA	5	3	2 1/2	2	3
WWCR500-350-V-AA	5	3 1/2	2 1/2	2	1 13/16
WWCR500-400-V-AA	5	4	2 1/2	2 1/4	1 3/8
WWCR500E-400E-V-AA	5 SCH80	4 SCH80	2 3/4	2 1/4	2 1/8
WWCR600-300-V-AA	6	3	3	2	2 1/2
WWCR600-350-V-AA	6	3 1/2	3	2	2 1/2
WWCR600-400-V-AA	6	4	3	2 1/4	2 11/16
WWCR600-500-V-AA	6	5	3	2 1/2	2
WWCR800R-400-V-AA	8 OD	4	4	3	3 5/16
WWCR800-500-V-AA	8	5	4	3	3