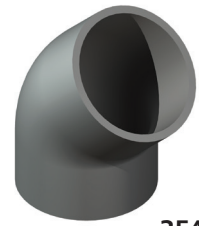


DOSSERT® TYPE 35400, 35500

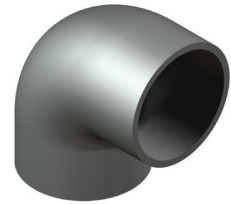
Weld Elbows are designed to be corona free for 345 kV and 500 kV service. Elbow is designed to be welded on outside of pipe allowing use on both schedule 40 and schedule 80 pipe. Socket design allows for slight inaccuracies in field cut length of pipe.

Material

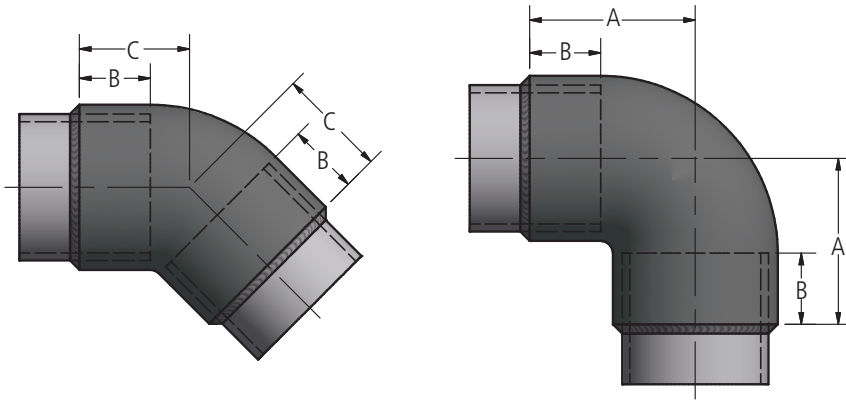
Aluminum Alloy



35400



35500



Ordering Information

| CATALOG NUMBER | | CONDUCTOR SIZE SPS/EPHS | DIMENSIONS IN INCHES | | | NOMINAL WEIGHT LBS | |
|----------------|----------|----------------------------|----------------------|------|------|--------------------|--------|
| 45 DEG | 90 DEG | | A | B | C | 45 DEG | 90 DEG |
| 35408EHV | 35508EHV | 3 | 4.16 | 1.75 | 2.75 | 1.8 | 2.4 |
| 35409EHV | 35509EHV | 3 1/2 | 4.72 | 2.00 | 3.12 | 2.6 | 3.6 |
| 35410EHV | 35510EHV | 4 | 5.28 | 2.25 | 3.50 | 3.6 | 4.8 |
| 35412EHV | 35512EHV | 5 | 6.44 | 2.75 | 4.28 | 5.8 | 7.8 |
| 35413EHV | 35513EHV | 6 | 7.59 | 3.25 | 5.05 | 9.4 | 12.8 |