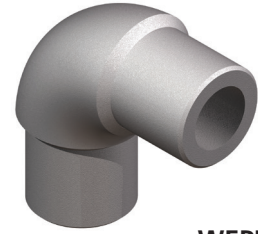


## DOSSERT® TYPE WEPI-AA, WEPI-30-AA, WEPI-45-AA, WEPI-60-AA

### Aluminum Welded Pipe Elbow

Welded elbows offer an economical method for field fabrication where angular turns are required. Designed for 500 kV service. Elbows are designed with chamfer to provide ease of welding.



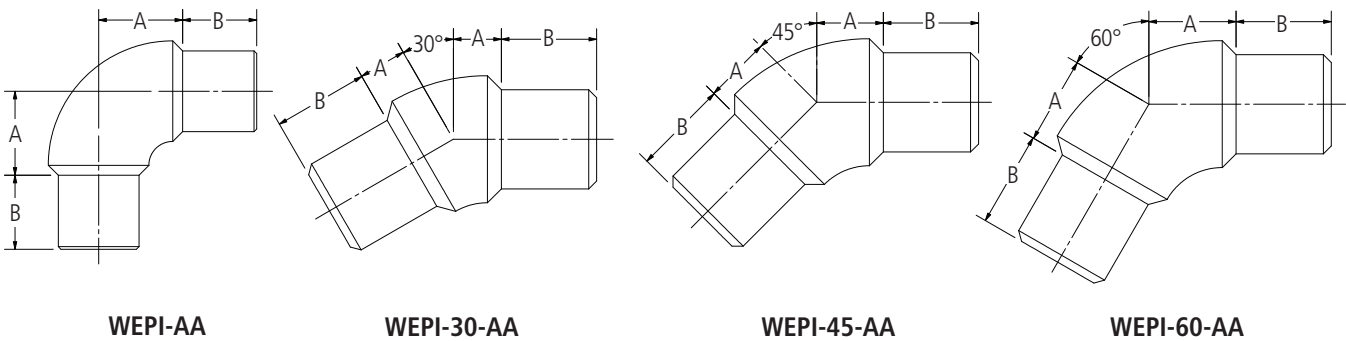
WEPI-AA

### Material

Aluminum Alloy

### Notes

- For a 30°, add '-30'; for a 45°, add '-45'; and for a 60°, add '-60' to catalog number. Ex: WEPI75-45-AA
- For Schedule 80, add 'E' to pipe size. Ex: WEPI75E-AA



### Ordering Information

S.P.S.	CATALOG NO.	ANGLE	DIMENSION IN INCHES		E.H.P.S.	CATALOG NO.	ANGLE	DIMENSION IN INCHES	
	SCHEDULE 40		A	B		SCHEDULE 80		A	B
3/4	WEPI75-AA	90°	1.11	0.75	3/4	WEPI75E-AA	90°	1.00	0.75
3/4	WEPI75-30-AA	30°	0.38	0.75	—	—	—	—	—
3/4	WEPI75-45-AA	45°	0.52	0.75	3/4	WEPI75E-45-AA	45°	0.56	0.75
3/4	WEPI75-60-AA	60°	0.69	0.75	—	—	—	—	—
1	WEPI100-AA	90°	1.19	0.75	1	WEPI100E-AA	90°	1.23	0.75
1	WEPI100-30-AA	30°	0.44	0.75	1	WEPI100E-30-AA	30°	0.48	0.75
1	WEPI100-45-AA	45°	0.58	0.75	1	WEPI100E-45-AA	45°	0.63	0.75
1	WEPI100-60-AA	60°	0.75	0.75	1	WEPI100E-60-AA	60°	0.80	0.75
1 1/4	WEPI125-AA	90°	1.38	1.00	1 1/4	WEPI125E-AA	90°	1.42	1.00
1 1/4	WEPI125-30-AA	30°	0.50	1.00	1 1/4	WEPI125E-30-AA	30°	0.56	1.00
1 1/4	WEPI125-45-AA	45°	0.68	1.00	1 1/4	WEPI125E-45-AA	45°	0.73	1.00
1 1/4	WEPI125-60-AA	60°	0.87	1.00	1 1/4	WEPI125E-60-AA	60°	0.92	1.00
1 1/2	WEPI150-AA	90°	1.57	1.00	1 1/2	WEPI150E-AA	90°	1.63	1.00
1 1/2	WEPI150-30-AA	30°	0.56	1.00	1 1/2	WEPI150E-30-AA	30°	0.63	1.00
1 1/2	WEPI150-45-AA	45°	0.76	1.00	1 1/2	WEPI150E-45-AA	45°	0.83	1.00
1 1/2	WEPI150-60-AA	60°	0.99	1.00	1 1/2	WEPI150E-60-AA	60°	1.05	1.00

## DOSSERT®

### TYPE WEPI-AA, WEPI-30-AA, WEPI-45-AA, WEPI-60-AA

#### Aluminum Welded Pipe Elbow

#### Ordering Information

S.P.S.	CATALOG NO.	ANGLE	DIMENSION IN INCHES		E.H.P.S.	CATALOG NO.	ANGLE	DIMENSION IN INCHES	
	SCHEDULE 40		A	B		SCHEDULE 80		A	B
2	WEPI200-AA	90°	1.92	1.75	2	WEPI200E-AA	90°	1.98	1.75
2	WEPI200-30-AA	30°	0.64	1.75	2	WEPI200E-30-AA	30°	0.70	1.75
2	WEPI200-45-AA	45°	0.89	1.75	2	WEPI200E-45-AA	45°	0.96	1.75
2	WEPI200-60-AA	60°	1.17	1.75	2	WEPI200E-60-AA	60°	1.24	1.75
2 1/2	WEPI250-AA	90°	2.51	1.75	2 1/2	WEPI250E-AA	90°	2.54	1.75
2 1/2	WEPI250-30-AA	30°	0.78	1.75	2 1/2	WEPI250E-30-AA	30°	0.84	1.75
2 1/2	WEPI250-45-AA	45°	1.08	1.75	2 1/2	WEPI250E-45-AA	45°	1.14	1.75
2 1/2	WEPI250-60-AA	60°	1.42	1.75	2 1/2	WEPI250E-60-AA	60°	1.46	1.75
3	WEPI300-AA	90°	2.52	1.75	3	WEPI300E-AA	90°	2.56	1.75
3	WEPI300-30-AA	30°	0.89	1.75	3	WEPI300E-30-AA	30°	0.96	1.75
3	WEPI300-45-AA	45°	1.23	1.75	3	WEPI300E-45-AA	45°	1.31	1.75
3	WEPI300-60-AA	60°	1.52	1.75	3	WEPI300E-60-AA	60°	1.56	1.75
3 1/2	WEPI350-AA	90°	2.87	1.75	3 1/2	WEPI350E-AA	90°	2.96	1.75
3 1/2	WEPI350-30-AA	30°	0.95	1.75	3 1/2	WEPI350E-30-AA	30°	1.04	1.75
3 1/2	WEPI350-45-AA	45°	1.33	1.75	3 1/2	WEPI350E-45-AA	45°	1.42	1.75
3 1/2	WEPI350-60-AA	60°	1.76	1.75	3 1/2	WEPI350E-60-AA	60°	1.85	1.75
4	WEPI400-AA	90°	3.02	2.06	4	WEPI400E-AA	90°	3.08	2.06
4	WEPI400-30-AA	30°	1.12	2.00	4	WEPI400E-30-AA	30°	1.23	2.00
4	WEPI400-45-AA	45°	1.60	2.00	4	WEPI400E-45-AA	45°	1.70	2.00
4	WEPI400-60-AA	60°	1.81	2.06	4	WEPI400E-60-AA	60°	1.87	2.06
5	WEPI500-AA	90°	3.82	2.44	5	WEPI500E-AA	90°	3.94	2.44
5	WEPI500-30-AA	30°	1.24	2.44	5	WEPI500E-30-AA	30°	1.35	2.44
5	WEPI500-45-AA	45°	1.75	2.44	5	WEPI500E-45-AA	45°	1.87	2.44
5	WEPI500-60-AA	60°	2.33	2.44	5	WEPI500E-60-AA	60°	2.45	2.44
6	WEPI600-AA	90°	4.31	2.75	6	WEPI600E-AA	90°	4.38	2.75
6	WEPI600-30-AA	30°	1.29	2.75	6	WEPI600E-30-AA	30°	1.36	2.75
6	WEPI600-45-AA	45°	1.89	2.75	6	WEPI600E-45-AA	45°	1.97	2.75
6	WEPI600-60-AA	60°	2.57	2.75	6	WEPI600E-60-AA	60°	2.64	2.75
8	WEPI800-AA	90°	5.64	1.00	—	—	—	—	—
8" O.D.	WEPI800R-AA	90°	5.50	2.00	—	—	—	—	—
8" O.D.	WEPI800R-30-AA	30°	1.88	2.00	—	—	—	—	—
8" O.D.	WEPI800R-60-AA	60°	3.38	2.00	—	—	—	—	—

## DOSSERT® TYPE 35400, 35500

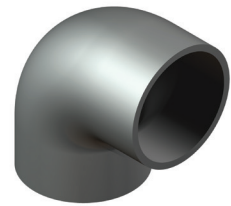
Weld Elbows are designed to be corona free for 345 kV and 500 kV service. Elbow is designed to be welded on outside of pipe allowing use on both schedule 40 and schedule 80 pipe. Socket design allows for slight inaccuracies in field cut length of pipe.

### Material

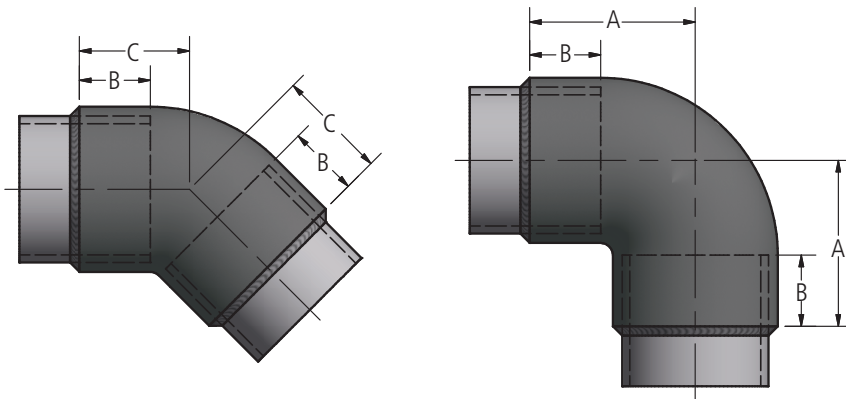
Aluminum Alloy



35400



35500



### Ordering Information

CATALOG NUMBER		CONDUCTOR SIZE SPS/EPHS	DIMENSIONS IN INCHES			NOMINAL WEIGHT LBS	
45 DEG	90 DEG		A	B	C	45 DEG	90 DEG
35408EHV	35508EHV	3	4.16	1.75	2.75	1.8	2.4
35409EHV	35509EHV	3 1/2	4.72	2.00	3.12	2.6	3.6
35410EHV	35510EHV	4	5.28	2.25	3.50	3.6	4.8
35412EHV	35512EHV	5	6.44	2.75	4.28	5.8	7.8
35413EHV	35513EHV	6	7.59	3.25	5.05	9.4	12.8