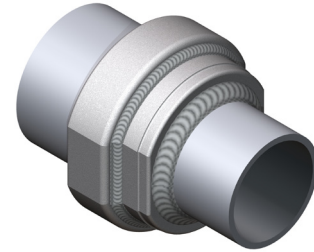


DOSSERT® TYPE 15100-EHV

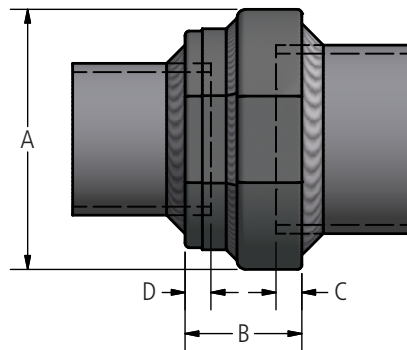
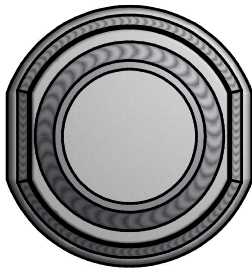
Reducer Connector for Pipe

Reducer connector is designed to connect unequal pipe sizes with minimum amount of trouble. Designed for 345 kV and 500 kV service. Connector is welded on outside of pipe allowing use on both schedule 40 and schedule 80 pipe.



Material

Aluminum Alloy



Ordering Information

CATALOG NUMBER	CONDUCTOR SIZE		DIMENSIONS IN INCHES				NOMINAL WEIGHT LBS
	SPS / EHPS		A	B	C	D	
	RUN	BRANCH					
15108-7EHV	3	2 1/2	4.12	1.75	0.44	0.44	1.3
15109-7EHV	3 1/2	2 1/2	4.69	1.75	0.44	0.44	1.5
15109-8EHV	3 1/2	3	4.69	1.88	0.44	0.44	1.9
15110-7EHV	4	2 1/2	5.19	1.81	0.5	0.44	1.7
15110-8EHV	4	3	5.19	1.94	0.5	0.44	2.1
15110-9EHV	4	3 1/2	5.19	1.94	0.5	0.44	2.3
15112-7EHV	5	2 1/2	6.25	1.81	0.5	0.44	2.2
15112-8EHV	5	3	6.25	1.94	0.5	0.44	2.6
15112-9EHV	5	3 1/2	6.25	1.94	0.5	0.44	2.8
15112-10EHV	5	4	6.25	2.00	0.5	0.50	3.1
15113-7EHV	6	2 1/2	7.38	1.81	0.5	0.44	2.8
15113-8EHV	6	3	7.38	1.94	0.5	0.44	3.2
15113-9EHV	6	3 1/2	7.38	1.94	0.5	0.44	3.4
15113-10EHV	6	4	7.38	2.00	0.5	0.50	3.7
15113-12EHV	6	5	7.38	2.00	0.5	0.50	4.3