

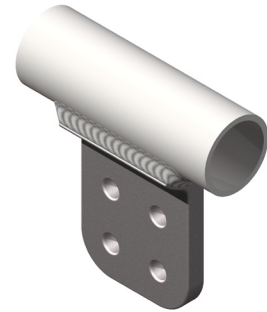
DOSSERT® TYPE WTC-N-V-AA, WTF-N-V-AA

Pipe Tap

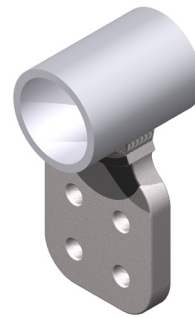
Tee taps are designed to be corona free for 345 kV and 500 kV operation when pad covers are used to shield terminal hardware.

Material

Aluminum Alloy



WTC-N-V-AA



WTF-N-V-AA

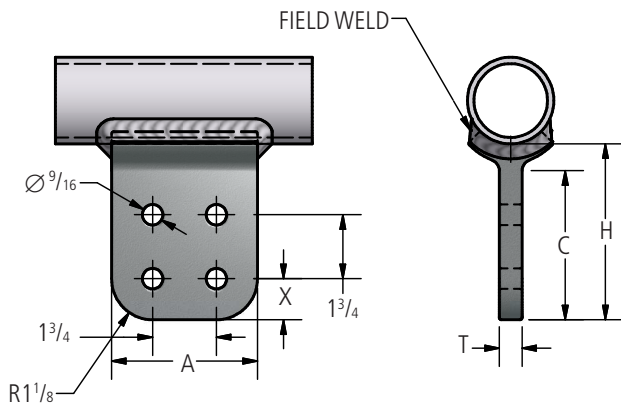


FIG. 1

WTC-N-V-AA

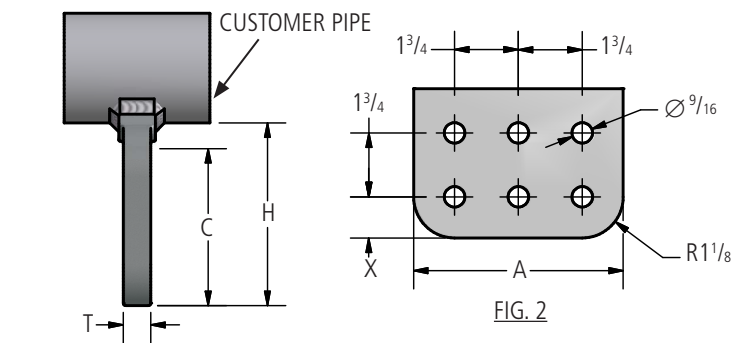


FIG. 2

WTF-N-V-AA

Ordering Information

CATALOG NUMBER		SPS RANGE	FIG. NUM.	DIMENSIONS IN INCHES				
IN-LINE	90 DEGREES			A	C	H	T	X
WTC250-4N-V-AA	WTF250-4N-V-AA	1 THRU 2 1/2	1	3	3 1/4	3 7/8	1/2	5/8
WTC250-4N4-V-AA	WTF250-4N4-V-AA	1 THRU 2 1/2	1	4	4 1/4	4 7/8	5/8	1 1/8
WTC600-4N-V-AA	WTF600-4N-V-AA	3 THRU 6	1	3	3 1/4	4	3/4	5/8
WTC600-4N4-V-AA	WTF600-4N4-V-AA	3 THRU 6	1	4	4 1/4	5	3/4	1 1/8
WTC600-6N4-V-AA	WTF600-6N4-V-AA	3 THRU 6	2	6	4 1/4	5	3/4	1 1/8
WTC800R-4N4-V-AA	WTF800R-4N4-V-AA	8" O.D.	1	4	4 1/4	5	3/4	1 1/8
WTC800-4N4-V-AA	WTF800-4N4-V-AA	8	1	4	4 1/4	5	3/4	1 1/8