

## DOSSERT® TYPE 33900, 34000

### Rope Lay Expansion Terminal

Expansion terminal is designed to be corona free for 500 kV service. Aluminum terminal can be connected to aluminum or copper terminals. Terminal pad conforms to NEMA standards. Rope lay expansion member provides for 1.75" of expansion or contraction. Dimension "B" shown in table includes 2.25", "D" Dimension noted in general information section.

### Material

Aluminum Alloy



33900E-EHV



34000E-EHV

34000 SERIES  
CENTER FORMED TERMINAL

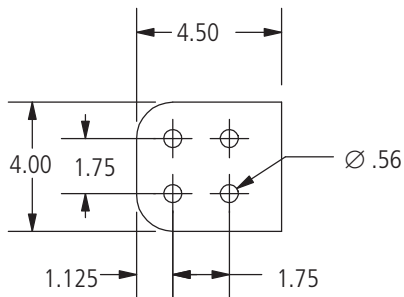
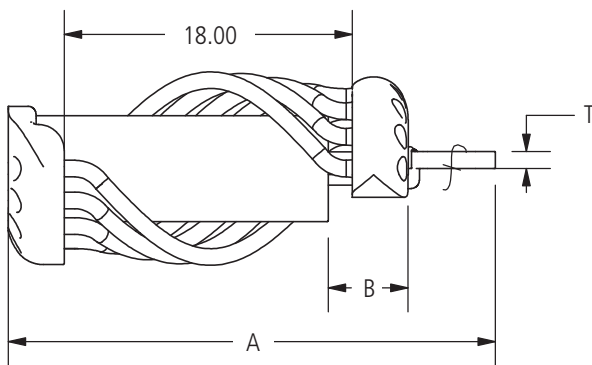


FIG. 1

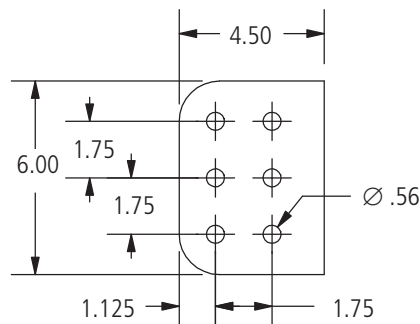


FIG. 2

33900 SERIES  
OFFSET TERMINAL

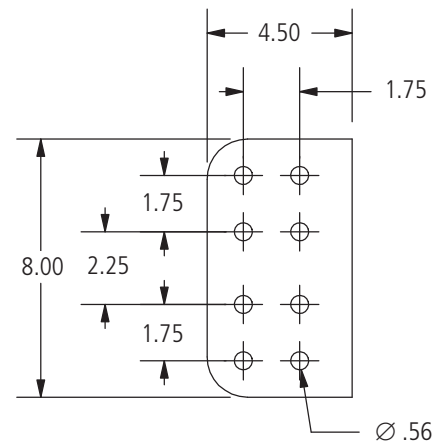
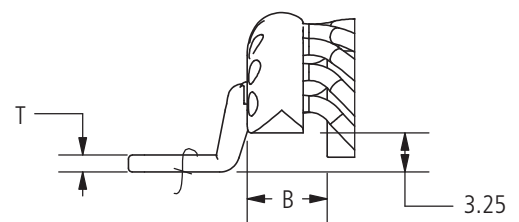


FIG. 3

## DOSSERT® TYPE 33900, 34000 INLINE

### Ordering Information

CATALOG NUMBER		CONDUCTOR SIZE	DIMENSIONS IN INCHES			FIG. NO.	NOMINAL WEIGHT IN LBS	
OFFSET TERMINAL	CENTER FORM TERMINAL		A	B	T		OFFSET TERMINAL	CENTER FORM TERMINAL
-	34008EEHV	3 SPS	30.59	3.75	1.00	1	-	26.1
-	34028EEHV	3 EHPS	30.59	3.75	1.00	1	-	26.0
-	34009EEHV	3 1/2 SPS	31.25	3.75	1.00	1	-	26.6
-	34029EEHV	3 1/2 EHPS	31.25	3.75	1.00	1	-	26.5
33910EEHV	34010EEHV	4 SPS	31.06	3.75	1.00	1	28.2	27.5
	34010GEHV	4 SPS	31.06	3.75	1.00	2	-	28.4
33930EEHV	34030EEHV	4 EHPS	31.06	3.75	1.00	1	28.1	27.4
33912EEHV	34012EEHV	5 SPS	31.06	3.75	1.00	1	26.3	26.6
33912GEHV	34012GEHV	5 SPS	31.06	3.75	1.00	2	26.3	26.6
33932EEHV	34032EEHV	5 EHPS	31.06	3.75	1.00	1	27.9	26.8
	34032GEHV	5 EHPS	31.97	3.75	1.13	2	-	28.5
-	34013EEHV	6 SPS	30.81	4.00	1.00	1	-	36.2
-	34013GEHV	6 SPS	30.81	4.00	1.13	2	-	39.7
-	34033EEHV	6 EHPS	32.09	4.00	1.00	1	-	36.1
-	34033-8N4-EHV	6 EHPS	30.81	4.00	1.00	3	-	37.2