

DOSSERT® TYPE 34200E-EHV

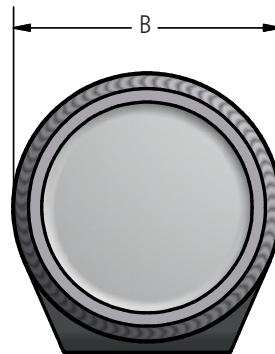
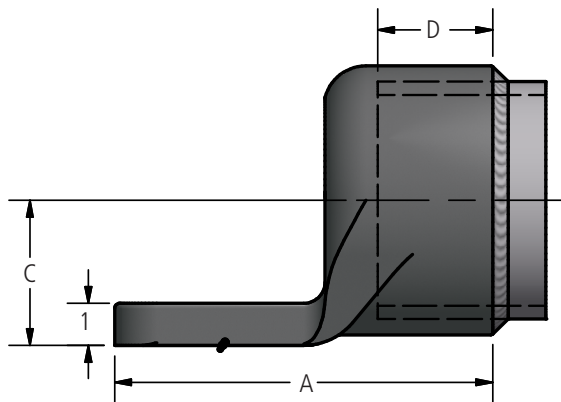
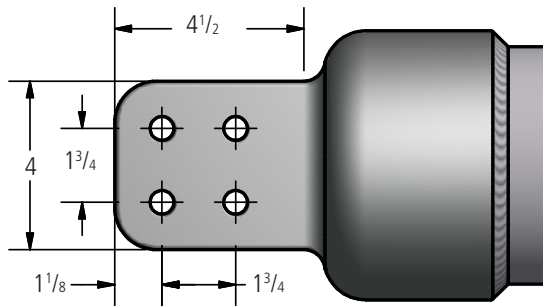
Terminal Connector, Welded, Offset

Terminal is designed to be corona free for 345 kV and 500 kV service when pad covers are used to shield terminal hardware. Pad covers are not supplied with terminal; see catalog 4040 EHV pad covers on page 514. Aluminum terminal can be connected to aluminum or copper terminals.



Material

Aluminum Alloy



Ordering Information

CATALOG NUMBER	SPS & EPHS	DIMENSIONS IN INCHES				NOMINAL WEIGHT
		A	B	C	D	
34208EEHV	3	7.62	4.12	2.62	1.75	2.9
34209EEHV	3 1/2	8.19	4.69	2.94	2.00	3.5
34210EEHV	4	8.44	5.19	3.25	2.25	4.2
34212EEHV	5	9.00	6.38	3.44	2.75	6.0
34213EEHV	6	9.50	7.56	4.25	3.25	8.1