

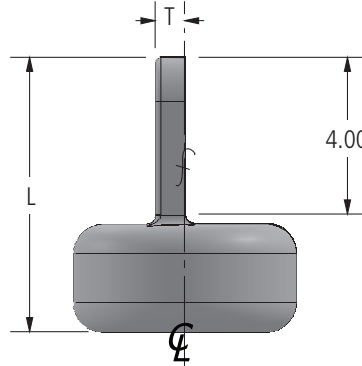
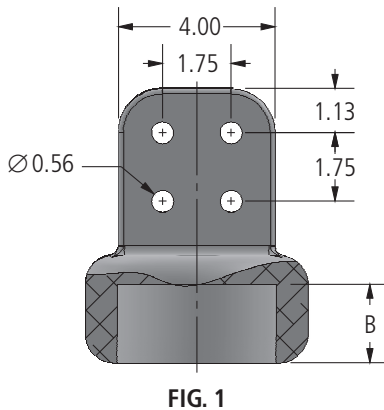
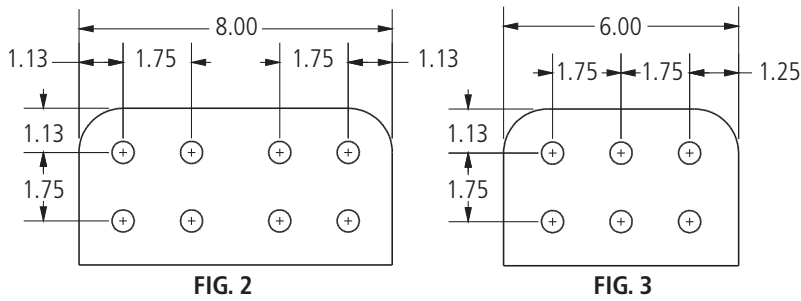
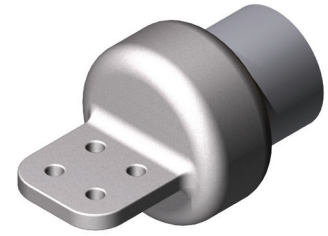
DOSSERT® TYPE WTPC-N-V-AA

Welded External Centerform Terminal

Terminal is designed to be corona free for 345 kV and 500 kV service when pad covers are used to shield terminal hardware.

Material

Aluminum Alloy



Ordering Information

CATALOG NUMBER	SPS	FIG. NO.	DIMENSIONS IN INCHES		
			B	L	T
WTPC200-4N4-V-AA	2	1	1.50	6.00	0.50
WTPC200-6N4-V-AA	2	3	1.50	6.00	0.50
WTPC300-4N4-V-AA	3	1	1.75	6.75	0.63
WTPC350-4N4-V-AA	3 1/2	1	2.00	7.00	0.75
WTPC400-4N4-V-AA	4	1	2.00	6.75	0.88
WTPC500-4N4-V-AA	5	1	2.75	7.75	0.88
WTPC500-6N4-V-AA	5	3	2.75	7.75	0.88
WTPC600-4N4-V-AA	6	1	3.00	8.00	1.00
WTPC600E-8N4-V-AA	6	2	3.00	8.00	1.00
WTPC800R-4N4-V-AA	8 OD	1	3.00	8.00	1.00
WTPC800-4N4-V-AA	8	1	3.00	8.00	1.00