

DOSSERT® TYPE WTPI-N-V-AA, WTPIA-N-90-V-AA

Welded Internal Offset Terminal

Welded internal terminal standard and at 90° is designed to be corona free for 345 kV and 500 kV service.

Material

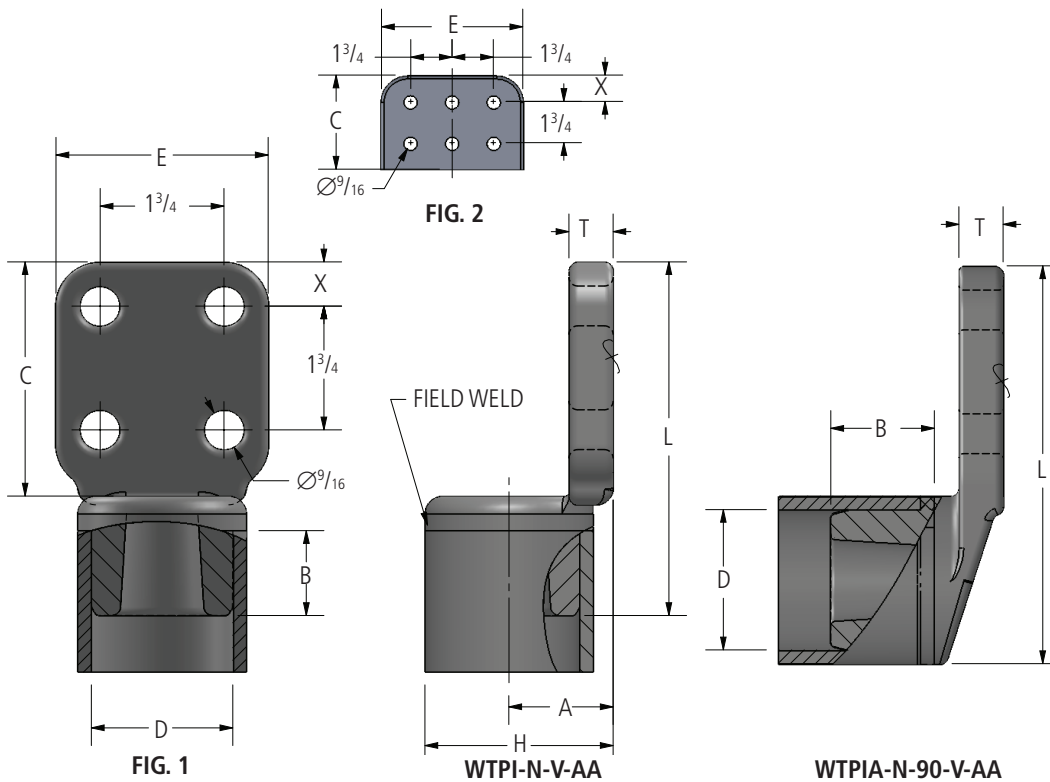
Aluminum Alloy



WTPI-N-V-AA



WTPIA-N-90-V-AA



continued
→

DOSSERT®

TYPE WTPI-N-V-AA, WTPIA-N-90-V-AA

Welded Internal Offset Terminal

Ordering Information

CATALOG NUMBER		SPS	FIG. NO.	DIMENSIONS IN INCHES								
STANDARD	90 DEGREE			A	B	C	D	E	H	L	T	X
WTPI200-4N-V-AA	WTPIA200-4N-90-V-AA	2	1	1.50	1.25	3.00	2.000	3.00	2.69	4.75	0.63	0.63
WTPI200E-4N4-V-AA	WTPIA200E-4N4-90-V-AA	2	1	1.50	1.94	4.00	1.872	4.00	2.88	6.63	0.63	1.13
WTPI250-4N4-V-AA	WTPIA250-4N4-90-V-AA	2 1/2	1	1.75	1.50	4.00	2.390	4.00	3.19	6.75	0.63	1.13
WTPI400-4N4-V-AA	WTPIA400-4N4-90-V-AA	4	1	2.50	2.25	4.00	3.995	4.00	4.75	7.75	0.75	1.13
WTPI400E-4N4-V-AA	WTPIA400E-4N4-90-V-AA	4 EHPS	1	2.50	2.25	4.00	3.764	4.00	4.75	7.75	0.75	1.13
WTPI500-4N4-V-AA	WTPIA500-4N4-90-V-AA	5	1	3.00	2.88	4.00	4.984	4.00	5.91	8.25	0.88	1.13
WTPI500-6N4-V-AA	WTPIA500-6N4-90-V-AA	5	2	3.00	3.00	4.00	4.984	6.00	5.91	9.81	1.13	1.13
WTPI500E-4N4-V-AA	WTPIA500E-4N4-90-V-AA	5 EHPS	1	3.00	2.88	4.00	4.750	4.00	5.91	8.25	0.88	1.13
WTPI600-4N4-V-AA	WTPIA600-4N4-90-V-AA	6	1	3.50	3.38	4.00	6.000	4.00	6.81	10.88	1.00	1.13
WTPI600E-4N4-V-AA	WTPIA600E-4N4-90-V-AA	6	1	3.50	3.38	4.00	5.683	4.00	6.81	10.88	1.00	1.13
WTPI600-6N4-V-AA	WTPIA600-6N4-90-V-AA	6	2	3.50	3.38	4.00	6.000	6.00	6.81	10.88	1.13	1.13
WTPI800R-4N4-V-AA	WTPIA800R-4N4-90-V-AA	8 OD	1	4.50	4.00	4.00	7.154	4.00	7.75	10.00	1.00	1.13
WTPI800-4N4-V-AA	WTPIA800-4N4-90-V-AA	8	1	4.50	4.00	4.00	8.000	4.00	7.75	10.00	1.00	1.13