

DOSSERT® TYPE WXL-V-AA, WXL-HV-AA

Expansion Terminal Connector

Expansion terminals are to be corona free for 345 kV and 500 kV service. Aluminum terminals can be connected to aluminum or copper terminals. Laminated straps provide for 1.75" (44.5mm) expansion or contraction. Static steel static eliminator springs are supplied for slip fit end of corona ring assembly.



Material

Aluminum Alloy

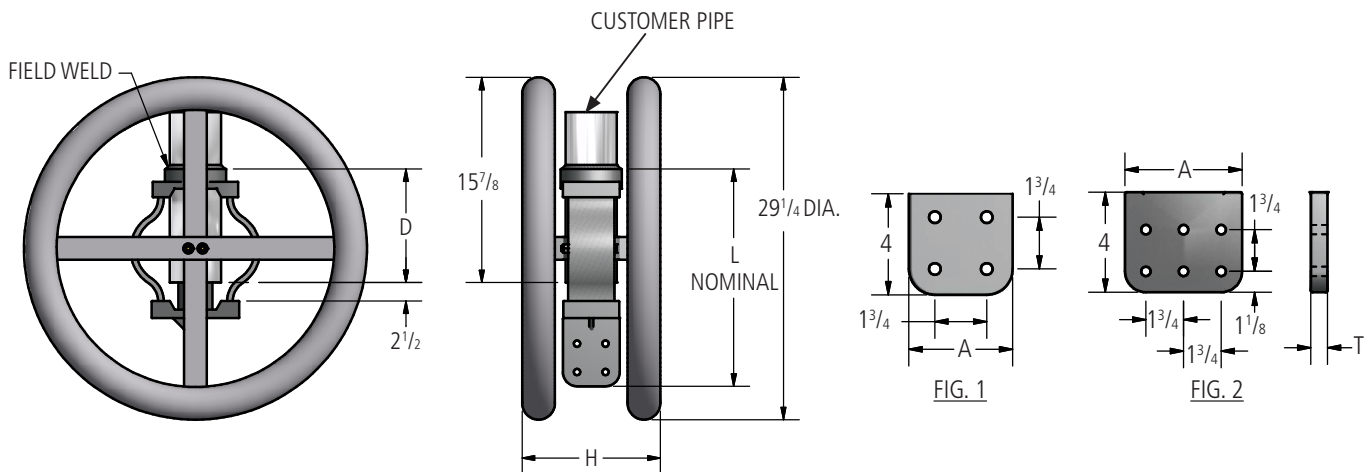
Hardware

Yellow anodized aluminum bolts, nuts, and lockwashers.
Stainless steel bolts, nuts, and lockwashers.

Notes

If hardware shield is required add -CSBV-to catalog
Example: WXL500E-4N4-V-AA-CSBV

For SCH 80 bus pipe, add "E" to catalog number.
Example: For 4 in SCH 80 bus pipe to 4 hole 4 in
NEMA pad order: WXL400E-4N4-V-AA.



Ordering Information

CATALOG NUMBER				SPS	FIG. NUM.	DIMENSIONS IN INCHES				
345 KV		500 KV				A	D	H	L	T
SCH 40	SCH 80	SCH 40	SCH 80							
WXL250-4N4-V-AA	WXL250E-4N4-V-AA	WXL250-4N4-HV-AA	WXL250E-4N4-HV-AA	2 1/2	1	4	7 11/16	10 5/8	15 7/8	5/8
WXL300-4N4-V-AA	WXL300E-4N4-V-AA	WXL300-4N4-HV-AA	WXL300E-4N4-HV-AA	3	1	4	8 3/16	11 1/8	17	5/8
WXL350-4N4-V-AA	WXL350E-4N4-V-AA	WXL350-4N4-HV-AA	WXL350E-4N4-HV-AA	3 1/2	1	4	9 3/4	11 5/8	18 5/16	3/4
WXL400-4N4-V-AA	WXL400E-4N4-V-AA	WXL400-4N4-HV-AA	WXL400E-4N4-HV-AA	4	1	4	10	12 1/8	19	3/4
WXL500-4N4-V-AA	WXL500E-4N4-V-AA	WXL500-4N4-HV-AA	WXL500E-4N4-HV-AA	5	1	4	10	13 1/8	19	7/8
WXL500-6N-V-AA	WXL500E-6N-V-AA	WXL500-6N-HV-AA	WXL500E-6N-HV-AA	5	2	5 3/4	10	13 1/8	19	7/8
WXL600-4N4-V-AA	WXL600E-4N4-V-AA	WXL600-4N4-HV-AA	WXL600E-4N4-HV-AA	6	1	4	12	14 1/4	21	1
WXL600-6N4-V-AA	WXL600E-6N4-V-AA	WXL600-6N4-HV-AA	WXL600E-6N4-HV-AA	6	2	5 3/4	12	14 1/4	21	1