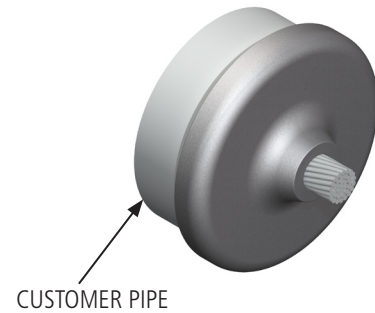


### DOSSERT® TYPE 14700-EHV

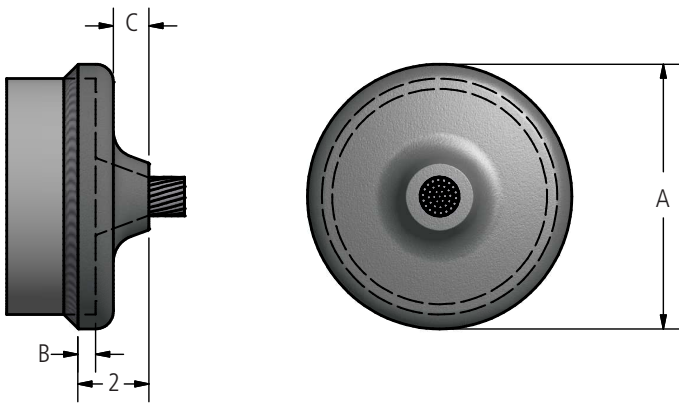
#### Straight Adapter Tube to Cable

Adapter is designed to make inline connection between pipe and stranded cable. Designed for 345 kV service. Cable is "puddle" welded to connector; connector is then welded to tube. Not recommended for use on ACSR conductors due to difficulty welding steel core.



#### Material

Aluminum Alloy



#### Ordering Information

TABLE 1					
SPS	CATALOG NUMBER	DIMENSIONS IN INCHES			NOMINAL WEIGHT LBS
		A	B	C	
3	14708	4.22	0.44	1.06	1.20
3 1/2	14709	4.66	0.44	1.06	1.30
4	14710	5.22	0.50	1.00	1.50
5	14712	6.38	0.50	1.00	1.90
6	14713	7.44	0.50	1.00	2.60

TABLE 2							
STANDARD CONDUCTOR RANGE			CATALOG NUMBER				
			RUN CONDUCTOR (SPS & EHPS)				
MIN	MAX	DIAMETER	3	3 1/2	4	5	6
900 MCM	-	1.048 - 1.110	14708.112 EHV	14709.112 EHV	14710.112 EHV	14712.112 EHV	14713.112 EHV
954 MCM	1033.5 MCM	1.111 - 1.173	14708.119 EHV	14709.119 EHV	14710.119 EHV	14712.119 EHV	14713.119 EHV
1113 MCM	-	1.174 - 1.235	14708.125 EHV	14709.125 EHV	14710.125 EHV	14712.125 EHV	14713.125 EHV
1192.5 MCM	1250 MCM	1.236 - 1.297	14708.131 EHV	14709.131 EHV	14710.131 EHV	14712.131 EHV	14713.131 EHV
1272 MCM	1351.5 MCM	1.298 - 1.360	14708.138 EHV	14709.138 EHV	14710.138 EHV	14712.138 EHV	14713.138 EHV
1431 MCM	1510.5 MCM	1.361 - 1.423	14708.144 EHV	14709.144 EHV	14710.144 EHV	14712.144 EHV	14713.144 EHV
1590 MCM	-	1.424 - 1.485	14708.150 EHV	14709.150 EHV	14710.150 EHV	14712.150 EHV	14713.150 EHV
1750 MCM	-	1.486 - 1.542	14708.156 EHV	14709.156 EHV	14710.156 EHV	14712.156 EHV	14713.156 EHV