

DOSSERT® TYPE 34900-EHV

Welded Straight Adapter

Bi-conductor and tri-conductor adapter is designed to be corona free for 345 kV and 500 kV service. Conductor adapters are furnished as complete assembly consisting of the conductor adapter, 90° EHV compression terminals and necessary aluminum hardware. Weights shown do not include compression terminals.

Material

Aluminum Alloy

Mounting Hardware

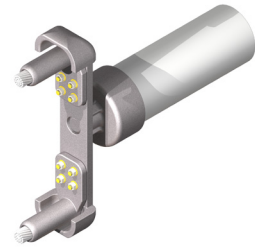
Galvanized steel bolts and lockwashers.

Hardware

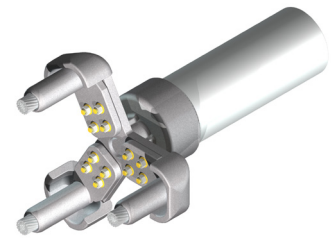
Yellow anodized aluminum bolts, nuts, and lockwashers.

Notes

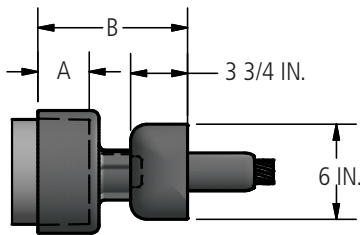
For conductor adapters without terminals, do not include Die Size or Bore Code in part number. Example: for a tri-conductor adapter to 6" SPS, order 34913EHV.



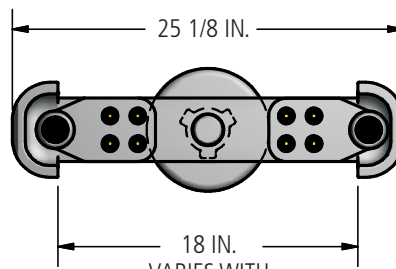
34928-EHV



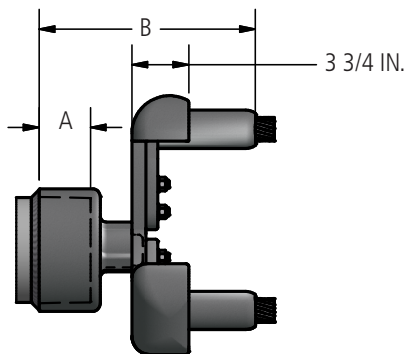
34908-EHV



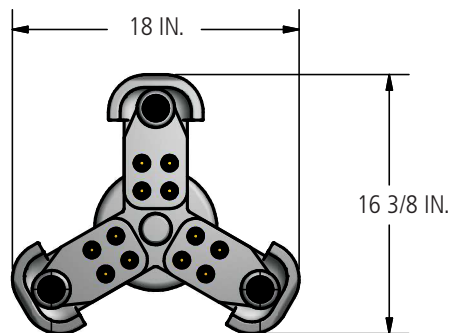
BI-CONDUCTOR



VARIES WITH
CONDUCTOR SIZE



TRI-CONDUCTOR



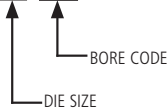
VARIES WITH
CONDUCTOR SIZE

345/500 kV
Tee Connectors

DOSSERT® TYPE 34900-EHV Welded Straight Adapter Ordering Information

SPS & EHPS	CATALOG NUMBER		DIMENSIONS IN INCHES		NOMINAL WEIGHT IN LBS	
	BI-CONDUCTOR	TRI-CONDUCTOR	A	B	BI-CONDUCTOR	TRI-CONDUCTOR
3	34928EHV.XX.YYY	34908EHV.XX.YYY	1.75	7.97	13.6	15.3
3 1/2	34929EHV.XX.YYY	34909EHV.XX.YYY	2.00	8.22	14.1	15.8
4	34930EHV.XX.YYY	34910EHV.XX.YYY	2.25	8.47	14.7	16.4
5	34932EHV.XX.YYY	34912EHV.XX.YYY	2.75	8.97	16.0	17.7
6	34933EHV.XX.YYY	34913EHV.XX.YYY	3.25	9.47	17.6	19.3

34933 EHV.XX.YYY



CODE	CONDUCTOR				DIE SIZE ALUMINUM HEX DIE
	ACSR OR AAC	SIZE KCMIL	STRANDING AL/ST	DIAMETER IN INCHES	
30.109	ACSR	715.5	24/7	1.036	30AH
	ACSR	715.5	26/7	1.051	
	ACSR	795	36/1	1.040	
	AAC	795	37	1.026	
	AAC	795	61	1.028	
	AAC	800	37	1.031	
	AAC	800	61	1.031	
30.116	ACSR	715.5	30/19	1.081	30AH
	ACSR	795	45/7	1.063	
	ACSR	795	54/7	1.093	
	ACSR	795	26/7	1.108	
	ACSR	795	24/7	1.092	
	AAC	900	61	1.094	
30.122	ACSR	795	30/19	1.140	30AH
	ACSR	900	45/7	1.131	
	ACSR	900	54/7	1.162	
	ACSR	954	36/1	1.140	
	ACSR	954	45/7	1.165	
	AAC	954	37	1.124	
	AAC	954	61	1.126	
	AAC	1000	61	1.152	
	AAC	1033.5	37	1.170	
AAC	1033.5	61	1.172		
30.125	ACSR	954	54/7	1.196	30AH
	ACSR	1033.5	36/1	1.186	

345/500 kV
Tee Connectors

DOSSERT®
TYPE 34900-EHV
Welded Straight Adapter

CODE	CONDUCTOR				DIE SIZE ALUMINUM HEX DIE
	ACSR OR AAC	SIZE KCMIL	STRANDING AL/ST	DIAMETER IN INCHES	
34.128	ACSR	1033.5	45/7	1.212	34AH
	AAC	1113	61	1.216	
34.134	ACSR	1033.5	54/7	1.244	34AH
	ACSR	1113	45/7	1.259	
	AAC	1192.5	61	1.258	
	AAC	1272	61	1.300	
34.138	ACSR	1192.5	45/7	1.302	34AH
	ACSR	1113	54/19	1.293	
36.144	ACSR	1272	45/7	1.345	36AH
	ACSR	1192.5	54/19	1.333	
	AAC	1351	61	1.340	
	AAC	1431	61	1.379	
36.147	ACSR	1272	54/19	1.382	36AH
	ACSR	1351.5	45/7	1.386	
	ACSR	1500	91	1.412	
	AAC	1510.5	61	1.187	
38.15	ACSR	1351.5	54/19	1.424	38AH
	ACSR	1431	45/7	1.427	
38.151	ACSR	1431	54/19	1.465	38AH
	ACSR	1510.5	45/7	1.466	
	AAC	1590	61	1.250	
	AAC	1590	91	1.454	
40.162	ACSR	1510.5	54/19	1.506	40AH
	ACSR	1590	45/7	1.504	
	ACSR	1590	54/19	1.545	
	AAC	1750	61	1.525	
42.178	ACSR	1780	84/19	1.602	42AH
	ACSR	2034	72/7	1.681	
	AAC	2000	91	1.630	
44.181	ACSR	2167	72/7	1.737	44AH
	AAC	2250	91	1.729	
	AAC	2300	61	1.750	
	AAC	2300	91	1.750	
44.184	ACSR	2156	84/19	1.762	44AH
44.188	ACSR	2312	76/19	1.802	44AH
	AAC	2500	91	1.823	
48.197	ACSR	2515	76/19	1.880	48AH
		2750	91	1.912	

345/500 kV
Tee Connectors