

### DOSSERT® TYPE 34992-EHV, 34993-EHV

#### Welded Tee Adapter

Bi-conductor tee adapter is designed to be corona free for 345 kV and 500 kV service. Bi-conductor tee adapter is furnished as complete assembly consisting of bi-conductor adapter, two 90° EHV compression terminals and necessary aluminum hardware. Complete assembly is ordered by specifying catalog number and size of stranded conductor.

#### Material

Aluminum Alloy

#### Mounting Hardware

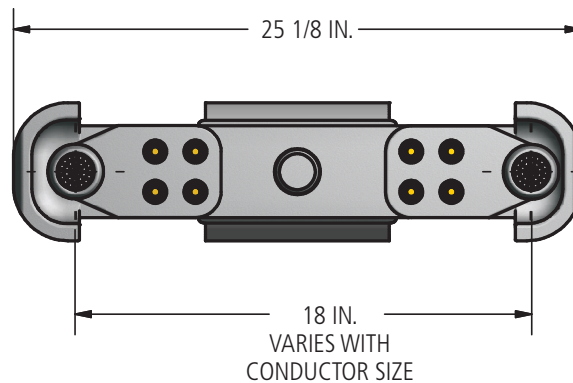
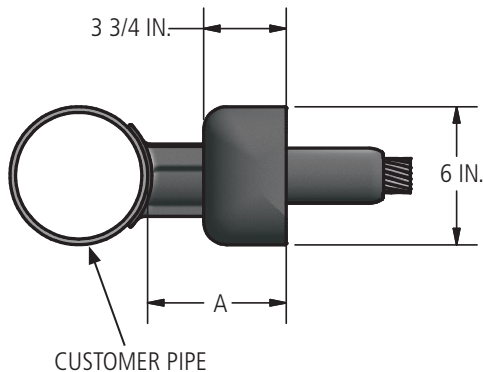
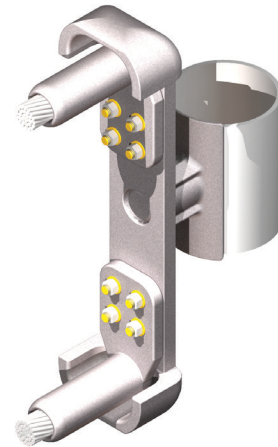
Galvanized steel bolts and lockwashers.

#### Hardware

Yellow anodized aluminum bolts, nuts, and lockwashers.

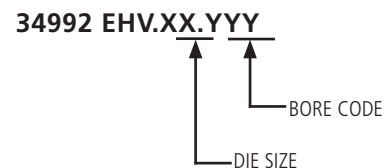
#### Notes

For conductor adapters without terminals, do not include Die Size or Bore Code in part number. Example: for a Bi-conductor adapter to 6" SPS, order 34993EHV.



#### Ordering Information

CONDUCTOR SIZE SPS & EHPS	CATALOG NUMBER	DIMENSIONS IN INCHES	NOMINAL WEIGHT
		A	LBS
3 THRU 4	34992EHV.XX.YYY	6.16	11.9
5 & 6	34993EHV.XX.YYY	6.36	13.6



## DOSSERT® TYPE 34992-EHV, 34993-EHV

### Welded Tee Adapter

CODE	CONDUCTOR				DIE SIZE ALUMINUM HEX DIE
	ACSR OR AAC	SIZE KCMIL	STRANDING AL/ST	DIAMETER IN INCHES	
30.109	ACSR	715.5	24/7	1.036	30AH
	ACSR	715.5	26/7	1.051	
	ACSR	795	36/1	1.040	
	AAC	795	37	1.026	
	AAC	795	61	1.028	
	AAC	800	37	1.031	
	AAC	800	61	1.031	
30.116	ACSR	715.5	30/19	1.081	30AH
	ACSR	795	45/7	1.063	
	ACSR	795	54/7	1.093	
	ACSR	795	26/7	1.108	
	ACSR	795	24/7	1.092	
	AAC	900	61	1.094	
30.122	ACSR	795	30/19	1.140	30AH
	ACSR	900	45/7	1.131	
	ACSR	900	54/7	1.162	
	ACSR	954	36/1	1.140	
	ACSR	954	45/7	1.165	
	AAC	954	37	1.124	
	AAC	954	61	1.126	
	AAC	1000	61	1.152	
	AAC	1033.5	37	1.170	
AAC	1033.5	61	1.172		
30.125	ACSR	954	54/7	1.196	30AH
	ACSR	1033.5	36/1	1.186	
34.128	ACSR	1033.5	45/7	1.212	34AH
	AAC	1113	61	1.216	
34.134	ACSR	1033.5	54/7	1.244	34AH
	ACSR	1113	45/7	1.259	
	AAC	1192.5	61	1.258	
	AAC	1272	61	1.300	
34.138	ACSR	1192.5	45/7	1.302	34AH
	ACSR	1113	54/19	1.293	
36.144	ACSR	1272	45/7	1.345	36AH
	ACSR	1192.5	54/19	1.333	
	AAC	1351	61	1.340	
	AAC	1431	61	1.379	

**DOSSERT®**  
**TYPE 34992-EHV, 34993-EHV**

**Welded Tee Adapter**

CODE	CONDUCTOR				DIE SIZE ALUMINUM HEX DIE
	ACSR OR AAC	SIZE KCMIL	STRANDING AL/ST	DIAMETER IN INCHES	
36.147	ACSR	1272	54/19	1.382	36AH
	ACSR	1351.5	45/7	1.386	
	ACSR	1500	91	1.412	
	AAC	1510.5	61	1.187	
38.15	ACSR	1351.5	54/19	1.424	38AH
	ACSR	1431	45/7	1.427	
38.151	ACSR	1431	54/19	1.465	38AH
	ACSR	1510.5	45/7	1.466	
	AAC	1590	61	1.250	
	AAC	1590	91	1.454	
40.162	ACSR	1510.5	54/19	1.506	40AH
	ACSR	1590	45/7	1.504	
	ACSR	1590	54/19	1.545	
	AAC	1750	61	1.525	
42.178	ACSR	1780	84/19	1.602	42AH
	ACSR	2034	72/7	1.681	
	AAC	2000	91	1.630	
44.181	ACSR	2167	72/7	1.737	44AH
	AAC	2250	91	1.729	
	AAC	2300	61	1.750	
	AAC	2300	91	1.750	
44.184	ACSR	2156	84/19	1.762	44AH
44.188	ACSR	2312	76/19	1.802	44AH
	AAC	2500	91	1.823	
48.197	ACSR	2515	76/19	1.880	48AH
		2750	91	1.912	

345/500 kV  
Tee Connectors