

### DOSSERT® TYPE 34996-EHV, 34997-EHV

#### Welded Tee Adapter

Tri-conductor tee adapter is designed to be corona free for 345 kV and 500 kV service. Tri-conductor tee adapter is furnished as complete assembly consisting of tri-conductor adapter, three 90° EHV compression terminals and necessary aluminum hardware. Weights shown do not include compression terminals.

#### Material

Aluminum Alloy

#### Mounting Hardware

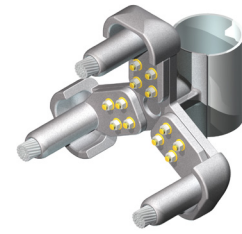
Galvanized steel bolts and lockwashers.

#### Hardware

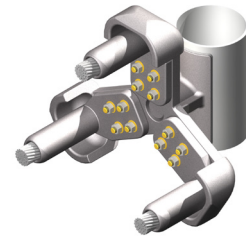
Yellow anodized aluminum bolts, nuts, and lockwashers.

#### Notes

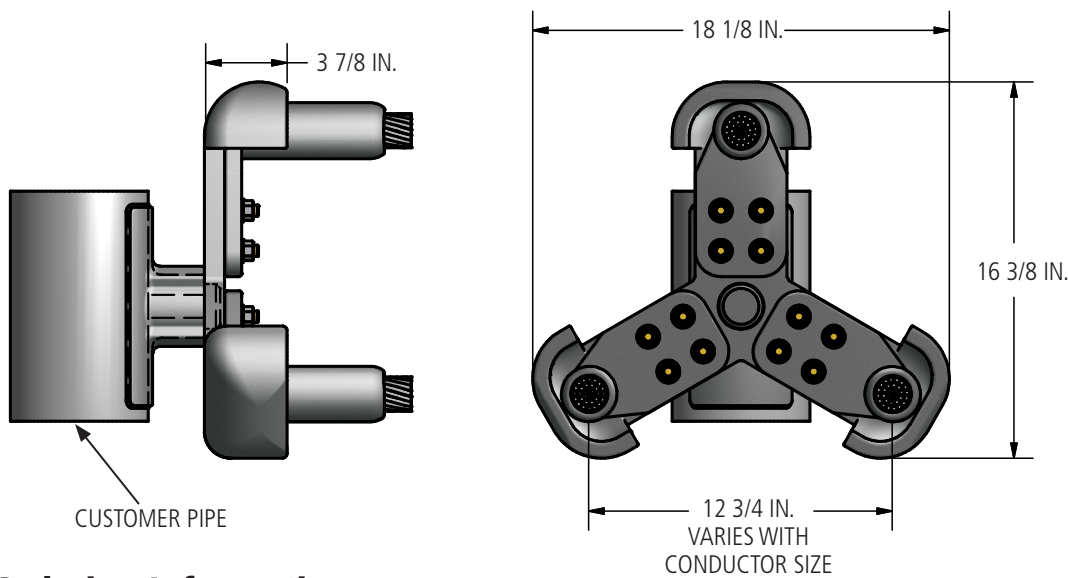
For conductor adapters without terminals, do not include Die Size or Bore Code in part number. Example: for a Tri-conductor adapter to 6" SPS, order 34997EHV.



34996-EHV



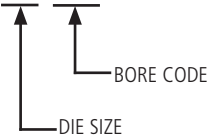
34997-EHV



#### Ordering Information

| CONDUCTOR SIZE<br>SPS & EHPS | CATALOG NUMBER   | DIMENSIONS<br>IN INCHES | NOMINAL<br>WEIGHT |
|------------------------------|------------------|-------------------------|-------------------|
|                              |                  | A                       | LBS               |
| 3 THRU 4                     | 34996 EHV.XX.YYY | 6.16                    | 13.8              |
| 5 & 6                        | 34997 EHV.XX.YYY | 6.36                    | 15.5              |

34996 EHV.XX.YYY



345/500 kV  
Tee Connectors

**DOSSERT®  
TYPE 34996-EHV, 34997-EHV**

**Welded Tee Adapter**

| CODE   | CONDUCTOR   |            |                    |                       | DIE SIZE<br>ALUMINUM HEX<br>DIE |
|--------|-------------|------------|--------------------|-----------------------|---------------------------------|
|        | ACSR OR AAC | SIZE KCMIL | STRANDING<br>AL/ST | DIAMETER IN<br>INCHES |                                 |
| 30.109 | ACSR        | 715.5      | 24/7               | 1.036                 | 30AH                            |
|        | ACSR        | 715.5      | 26/7               | 1.051                 |                                 |
|        | ACSR        | 795        | 36/1               | 1.040                 |                                 |
|        | AAC         | 795        | 37                 | 1.026                 |                                 |
|        | AAC         | 795        | 61                 | 1.028                 |                                 |
|        | AAC         | 800        | 37                 | 1.031                 |                                 |
|        | AAC         | 800        | 61                 | 1.031                 |                                 |
| 30.116 | ACSR        | 715.5      | 30/19              | 1.081                 | 30AH                            |
|        | ACSR        | 795        | 45/7               | 1.063                 |                                 |
|        | ACSR        | 795        | 54/7               | 1.093                 |                                 |
|        | ACSR        | 795        | 26/7               | 1.108                 |                                 |
|        | ACSR        | 795        | 24/7               | 1.092                 |                                 |
|        | AAC         | 900        | 61                 | 1.094                 |                                 |
| 30.122 | ACSR        | 795        | 30/19              | 1.140                 | 30AH                            |
|        | ACSR        | 900        | 45/7               | 1.131                 |                                 |
|        | ACSR        | 900        | 54/7               | 1.162                 |                                 |
|        | ACSR        | 954        | 36/1               | 1.140                 |                                 |
|        | ACSR        | 954        | 45/7               | 1.165                 |                                 |
|        | AAC         | 954        | 37                 | 1.124                 |                                 |
|        | AAC         | 954        | 61                 | 1.126                 |                                 |
|        | AAC         | 1000       | 61                 | 1.152                 |                                 |
|        | AAC         | 1033.5     | 37                 | 1.170                 |                                 |
| AAC    | 1033.5      | 61         | 1.172              |                       |                                 |
| 30.125 | ACSR        | 954        | 54/7               | 1.196                 | 30AH                            |
|        | ACSR        | 1033.5     | 36/1               | 1.186                 |                                 |
| 34.128 | ACSR        | 1033.5     | 45/7               | 1.212                 | 34AH                            |
|        | AAC         | 1113       | 61                 | 1.216                 |                                 |
| 34.134 | ACSR        | 1033.5     | 54/7               | 1.244                 | 34AH                            |
|        | ACSR        | 1113       | 45/7               | 1.259                 |                                 |
|        | AAC         | 1192.5     | 61                 | 1.258                 |                                 |
|        | AAC         | 1272       | 61                 | 1.300                 |                                 |
| 34.138 | ACSR        | 1192.5     | 45/7               | 1.302                 | 34AH                            |
|        | ACSR        | 1113       | 54/19              | 1.293                 |                                 |
| 36.144 | ACSR        | 1272       | 45/7               | 1.345                 | 36AH                            |
|        | ACSR        | 1192.5     | 54/19              | 1.333                 |                                 |
|        | AAC         | 1351       | 61                 | 1.340                 |                                 |
|        | AAC         | 1431       | 61                 | 1.379                 |                                 |

345/500 kV  
Tee Connectors

**DOSSERT®**  
**TYPE 34996-EHV, 34997-EHV**

**Welded Tee Adapter**

| CODE   | CONDUCTOR   |            |                    |                       | DIE SIZE<br>ALUMINUM HEX<br>DIE |
|--------|-------------|------------|--------------------|-----------------------|---------------------------------|
|        | ACSR OR AAC | SIZE KCMIL | STRANDING<br>AL/ST | DIAMETER IN<br>INCHES |                                 |
| 36.147 | ACSR        | 1272       | 54/19              | 1.382                 | 36AH                            |
|        | ACSR        | 1351.5     | 45/7               | 1.386                 |                                 |
|        | ACSR        | 1500       | 91                 | 1.412                 |                                 |
|        | AAC         | 1510.5     | 61                 | 1.187                 |                                 |
| 38.15  | ACSR        | 1351.5     | 54/19              | 1.424                 | 38AH                            |
|        | ACSR        | 1431       | 45/7               | 1.427                 |                                 |
| 38.151 | ACSR        | 1431       | 54/19              | 1.465                 | 38AH                            |
|        | ACSR        | 1510.5     | 45/7               | 1.466                 |                                 |
|        | AAC         | 1590       | 61                 | 1.250                 |                                 |
|        | AAC         | 1590       | 91                 | 1.454                 |                                 |
| 40.162 | ACSR        | 1510.5     | 54/19              | 1.506                 | 40AH                            |
|        | ACSR        | 1590       | 45/7               | 1.504                 |                                 |
|        | ACSR        | 1590       | 54/19              | 1.545                 |                                 |
|        | AAC         | 1750       | 61                 | 1.525                 |                                 |
| 42.178 | ACSR        | 1780       | 84/19              | 1.602                 | 42AH                            |
|        | ACSR        | 2034       | 72/7               | 1.681                 |                                 |
|        | AAC         | 2000       | 91                 | 1.630                 |                                 |
| 44.181 | ACSR        | 2167       | 72/7               | 1.737                 | 44AH                            |
|        | AAC         | 2250       | 91                 | 1.729                 |                                 |
|        | AAC         | 2300       | 61                 | 1.750                 |                                 |
|        | AAC         | 2300       | 91                 | 1.750                 |                                 |
| 44.184 | ACSR        | 2156       | 84/19              | 1.762                 | 44AH                            |
| 44.188 | ACSR        | 2312       | 76/19              | 1.802                 | 44AH                            |
|        | AAC         | 2500       | 91                 | 1.823                 |                                 |
| 48.197 | ACSR        | 2515       | 76/19              | 1.880                 | 48AH                            |
|        |             | 2750       | 91                 | 1.912                 |                                 |

345/500 kV  
Tee Connectors