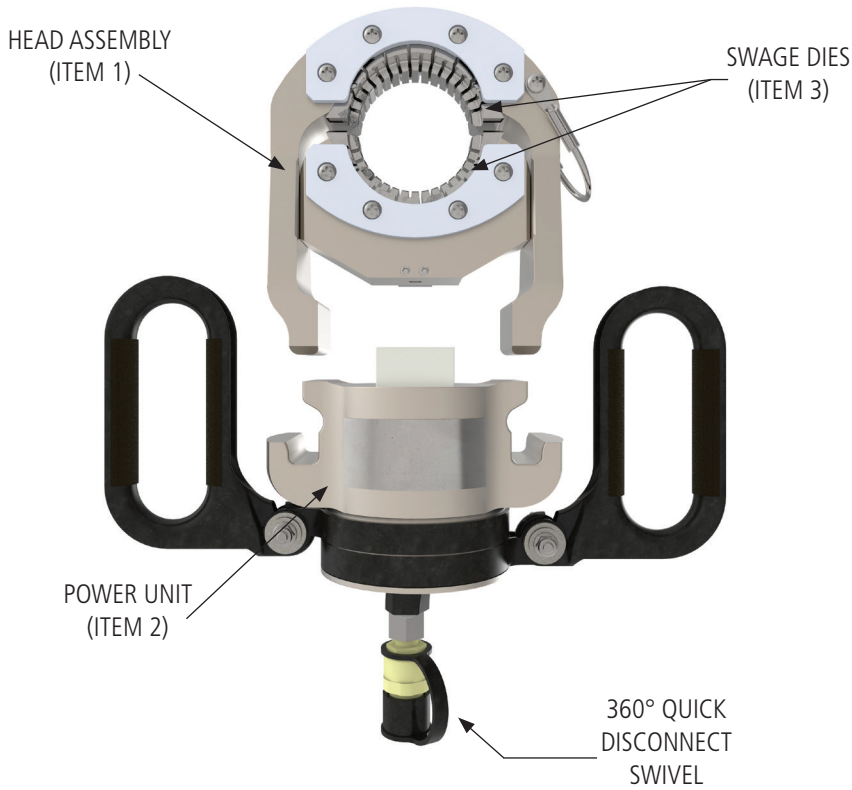


65TPUHAD Swage 65 Ton Press Assembly

A Swage 65 Ton Press Assembly is a portable construction and maintenance tool designed to Swage bus and cable accessories onto a bus pipe or cable. The power unit works with 1" through 4" Head Assemblies. The Catalog Number below provides everything needed for each pipe size. For more sizes, order extra press heads and dies from the Head and Dies section.



SWAGE TOOLING

Ordering Information

AFL NO.	S.P.S.	ITEM 1	ITEM 2	ITEM 3	ITEM 4
		PRESS HEAD	POWER UNIT	DIE	INSPECTION GAUGE
65TPUHAD100	1	65THA200-L	65TPU-L	65TD100	SWGGB100
65TPUHAD150	1.5			65TD150	SWGGB150
65TPUHAD200	2			65TD200	SWGGB200
65TPUHAD44	2.75 O.D.			65TD44L	SWGGB44
65TPUHAD250	2.5	65THA300		65TD250	SWGGB250
65TPUHAD300	3			65TD300	SWGGB300
65TPUHAD350	3.5	65THA400		65TD350	SWGGB350
65TPUHAD400	4			65TD400	SWGGB400