

DOSSERT® TYPE B7582-A Series

**Tee Connector, Bolted, Welded Expansion Type
Recommended for Voltages Up to 765 kV**

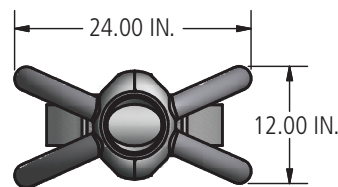
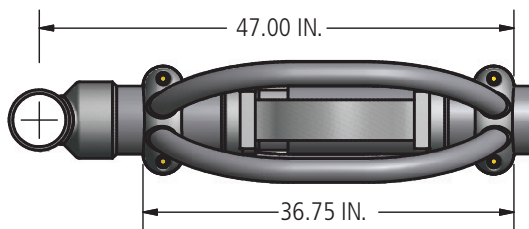
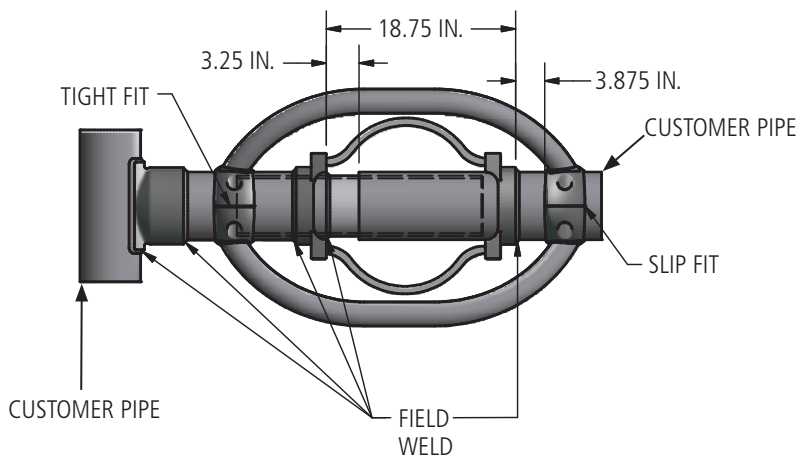
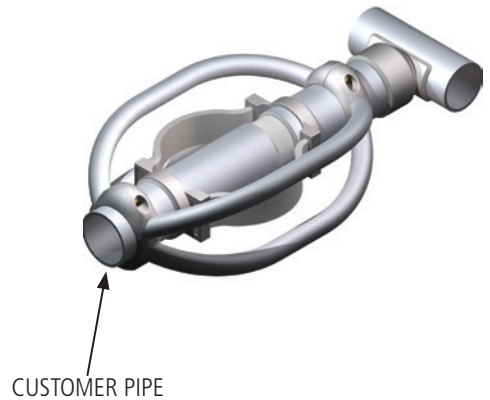
Expansion tee is designed to be corona free for 765 kV operation. Expansion tee is designed for maximum bus run of 150 feet (46M) operating between a minimum temperature of -20°F (-28.9°C) and maximum temperature of 200°F (93.3°C). Assembly consists of weld tee, guide insert, expansion straps, corona rings and hardware. Stainless steel chatter springs are supplied with corona ring assembly.

Material

Aluminum Alloy

Hardware

Yellow anodized aluminum bolts, nuts, washers, lockwashers.



Ordering Information

CATALOG NUMBERS	CONDUCTOR SIZE TUBULAR BUS		NOMINAL WEIGHT LBS
	RUN	TAP	
B7582-A	5"	6"	74.9
	6"	6"	74.9