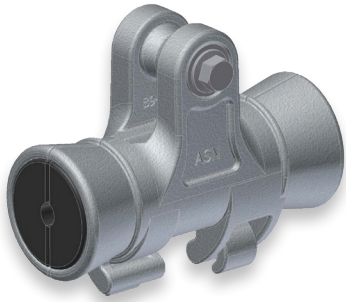


ADSS Suspension Unit

AFL's ADSS suspension unit is used to provide long term performance for spans up to 1200 feet (see span rating below). The interlocking halves of the aluminum body clamp provides positive alignment and utilize our proven EDPM bushings to gently grip the cable. The 3/8" mounting bolt is held captive by an o-ring. This product cannot be used as a stringing device.



Correct orientation of bushing shown above.

Application Note:

1. For use with ADSS cables with polyethylene jackets in low voltage environments only. Not for use in high voltage environments where tracking resistant cables are required.

Specifications

PARAMETER	VALUE
Span Length Rating	600 feet (200 meters) NESC Heavy 900 feet (274 meters) NESC Medium 1200 feet (365 meters) NESC Light
Vertical Load Rating	5000 lbs
Torque Requirement	Mounting bolt should be tightened to 25 ft-lb
Mounting Hardware	5/8" oval eye nut and anchor shackle (both parts not shown) can be included in the assembly by adding the suffix "AS01" to the part number
Line Angle	Max line angle is 30 degrees
Cable Types Recommended	For use on standard polyethylene jackets only DO NOT USE on track resistant cables
Slip Strength	Contact AFL for specific slip strength requirements

Ordering Information

AFL NO.	CABLE RANGE		WEIGHT		BUSHING COLOR CODE
	INCHES	MM	LBS	KG	
ASN325/375	0.325-0.375	8.3-9.5	2.2	1.0	Green + White
ASN376/419	0.376-0.419	9.6-10.6			Orange + White
ASN420/474	0.420 - 0.474	10.7 - 12.0			Purple + White
ASN475/525	0.475 - 0.525	12.1 - 13.3			Blue
ASN526/575	0.526 - 0.575	13.4 - 14.6			Orange
ASN576/625	0.576 - 0.625	14.6 - 15.9			Brown
ASN626/675	0.626 - 0.675	15.9 - 17.1			Green
ASN676/725	0.676 - 0.725	17.2 - 18.4			White
ASN726/775	0.726 - 0.775	18.4 - 19.7			Red
ASN776/825	0.776 - 0.825	19.7 - 21.0			Purple
ASN826/875	0.826 - 0.875	21.0 - 22.2			Yellow
ASN876/925	0.876 - 0.925	22.3 - 23.5			Pink
ASN926/959	0.926 - 0.959	23.5 - 24.4			—
ASN960/1045	0.960 - 0.1045	24.4 - 26.5			Gray

