

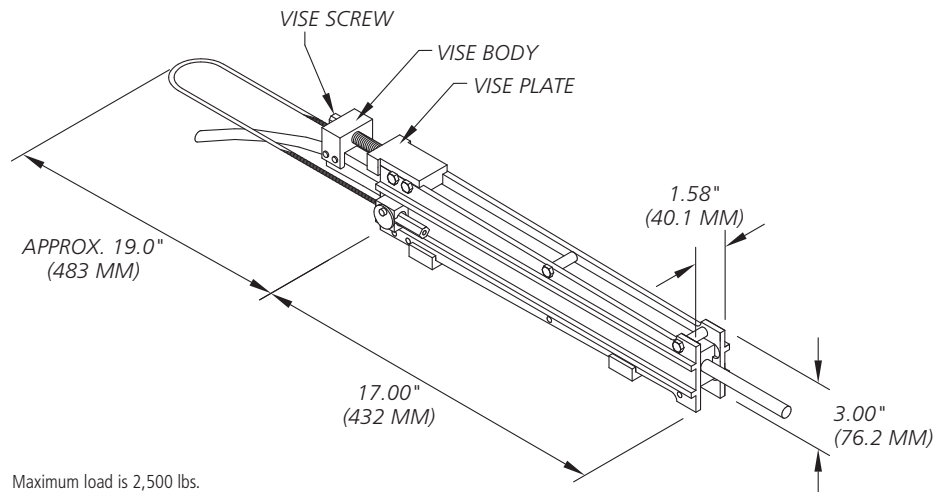
### Temporary Grip

Temporary Grips are used in stringing the ADSS during sagging and where it is necessary to make short term catch on the ADSS.

The Temporary grip for ADSS is a high strength aluminum body designed to hold 2,500 pounds or 50% of MRCL of the cable.

**Application Notes:**

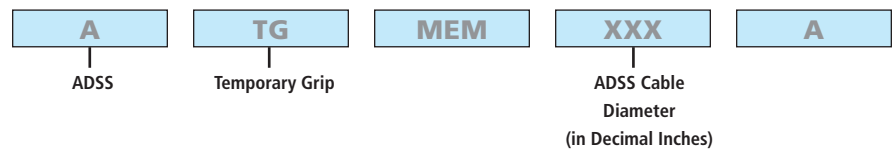
1. Mechanical Grip for Use with Polyethylene Outer Jackets Only



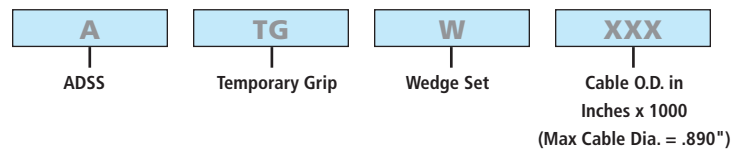
Maximum load is 2,500 lbs.

Thimble Clevis is included to attach temporary grip bail to chain hoist.

### Ordering Information



### Ordering Information for Additional Wedges



**CAUTION:** The Temporary Grip is only to be used for AFL ADSS cables with standard polyethylene jackets with a maximum O.D. of .890 or less.