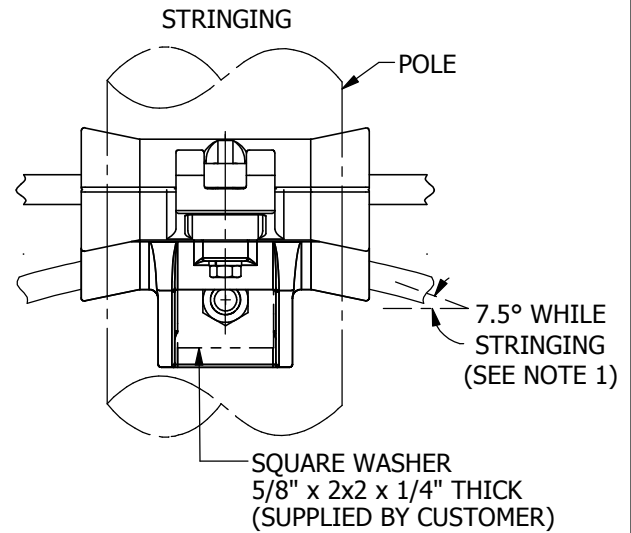
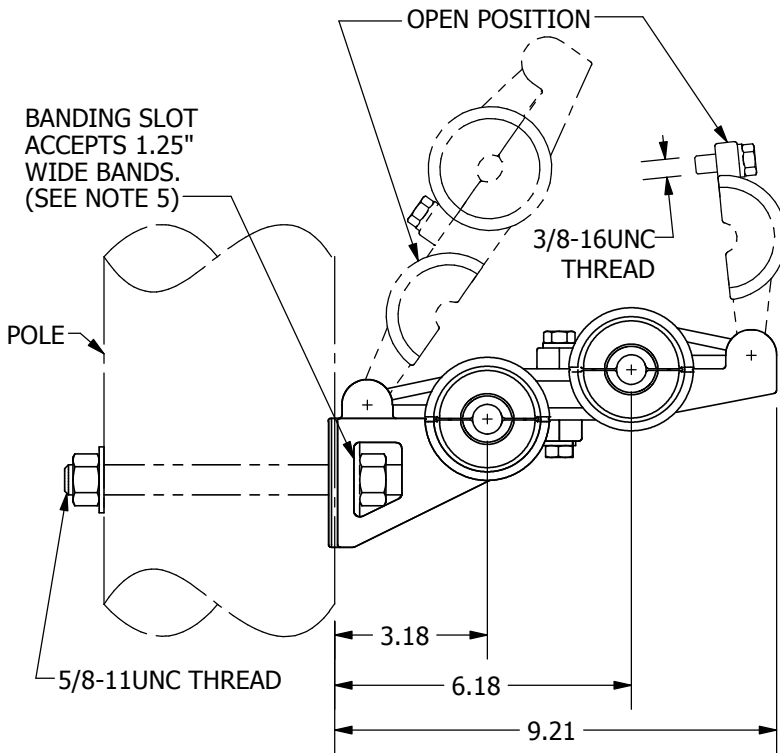
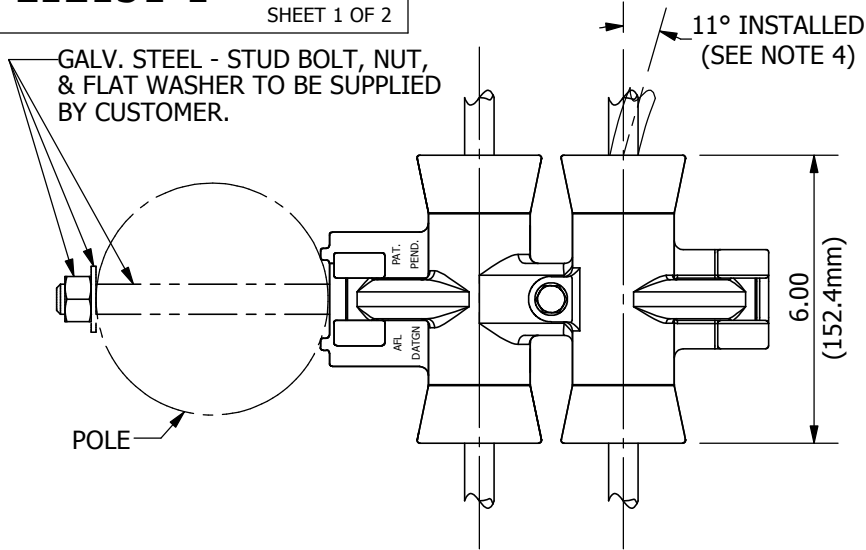


# L12151-1

SHEET 1 OF 2



**NOTES:**

1. SUPPORT MAY BE USED AS A STRINGING DEVICE BY REMOVING BUSHING INSERTS. MAXIMUM LINE ANGLE FOR STRINGING IS 15° (7.5° PER SIDE). AMOUNT OF STRUCTURES MUST NOT EXCEED 30.
2. HARDWARE IS HIGH STRENGTH ALUMINUM.
3. RECOMMENDED TORQUE:  
3/8" BOLT - 15 lbf-ft. (20.3 N-m)
4. MAXIMUM - LINE ANGLE INSTALLED (HORIZONTAL PLANE): 22° (11° PER SIDE)  
MAXIMUM - SAG ANGLE INSTALLED (VERTICAL PLANE): 22° (11° PER SIDE)
5. STAINLESS STEEL BANDING TO BE SUPPLIED BY CUSTOMER.
6. ASSEMBLY IS NOT TO BE USED IN SYSTEMS WITH LINE VOLTAGES GREATER THAN 69KV.
7. ASSEMBLY IS NOT FOR USE WITH SPECIAL TRACKING - RESISTANT JACKETS.
8. SEE SHEET 2 FOR ORDERING INFORMATION.

ADSS TANGENT SUPPORT DOUBLE TRUNNION			
SUSPENSION CLAMP			
FOR ADSS CABLE			
SALES PRESENTATION			
DESIGN	S. KRANZ	DRAWN	C. BACK
CHECK	S. KRANZ	DATE	08/11/16
SCALE	N.T.S.	APPR	S. KRANZ
L12151-1		SHEET	1/2
		REVISION	0
		PA	PA2016-183
		ARN	

SEE SHEET 2 FOR REVISIONS					
DATE	NO.	REVISION RECORD	PA	DR.	CK.
THIS DRAWING AND ALL INFORMATION ON IT IS THE PROPERTY OF AFL. IT IS CONFIDENTIAL AND IT IS GIVEN TO YOU FOR A LIMITED PURPOSE AND MUST BE RETURNED UPON REQUEST. NEITHER THIS DRAWING OR ANY PART OF IT NOR ANY INFORMATION CONCERNING IT MAY BE COPIED, EXHIBITED, OR FURNISHED TO OTHERS NOR PHOTOGRAPHS TAKEN OF ANY ARTICLE FABRICATED OR ASSEMBLED FROM THE DRAWING WITHOUT THE CONSENT OF AFL.					
SUPERSEDES:			SUPERSEDED BY:		

BUSHING "A" NUMBER	BUSHING "B" NUMBER	CABLE DIAMETER RANGE		COLOR CODE	MAXIMUM SPAN CAPABILITIES USING NESC LOADS IN FEET/INCHES	ESTIMATED WEIGHT	
		INCHES	MM			LBS.	KG
420	420	.420-.474	10.67-12.04	BLACK	600/182.9	2.05	.930
475	475	.475-.525	12.07-13.34	BLUE	600/182.9	2.05	.930
526	526	.526-.575	13.36-14.61	ORANGE	600/182.9	2.05	.930
576	576	.576-.625	14.63-15.88	BROWN	600/182.9	2.04	.925
626	626	.626-.675	15.90-17.15	GREEN	600/182.9	2.04	.925
676	676	.676-.725	17.17-18.42	WHITE	600/182.9	2.03	.921
726	726	.726-.775	18.44-19.69	RED	600/182.9	2.03	.921
776	776	.776-.825	19.71-20.96	PURPLE	600/182.9	2.02	.916
826	826	.826-.875	20.98-22.23	YELLOW	600/182.9	2.02	.916
876	876	.876-.925	22.25-23.50	PINK	500/152.4	2.02	.916
926	926	.926-.959	23.52-24.36	BLUE+WHITE	CONTACT AFL	2.02	.916
960	960	.960-1.045	24.38-26.54	GRAY	CONTACT AFL	2.02	.916

**NOTES:**

1. BUSHING "A" AND "B" MAY BE THE SAME OR DIFFERENT.

**ORDERING INFORMATION**

CUSTOMER TO ORDER BY ASSEMBLING PART NUMBER AS SHOWN:

**DATGN\_A\_B**


BUSHING  BUSHING  
"A" NUMBER "B" NUMBER

REFERENCE TABLE ABOVE

SEE NOTE 1

**EXAMPLE:**

FIRST CABLE 0.500" OD → BUSHING "A" NUMBER = 475  
 SECOND CABLE 0.750" OD → BUSHING "B" NUMBER = 726  
 ORDER BY PART NUMBER: DATGN**475A726B**

													
						ADSS TANGENT SUPPORT DOUBLE TRUNNION							
						SUSPENSION CLAMP							
						FOR ADSS CABLE							
						SALES PRESENTATION							
DATE	NO.	REVISION RECORD		PA	DR.	CK.	DESIGN	DRAWN	CHECK				
THIS DRAWING AND ALL INFORMATION ON IT IS THE PROPERTY OF AFL. IT IS CONFIDENTIAL AND IT IS GIVEN TO YOU FOR A LIMITED PURPOSE AND MUST BE RETURNED UPON REQUEST. NEITHER THIS DRAWING OR ANY PART OF IT NOR ANY INFORMATION CONCERNING IT MAY BE COPIED, EXHIBITED, OR FURNISHED TO OTHERS NOR PHOTOGRAPHS TAKEN OF ANY ARTICLE FABRICATED OR ASSEMBLED FROM THE DRAWING WITHOUT THE CONSENT OF AFL.							S. KRANZ	C. BACK	S. KRANZ				
							SCALE	N.T.S.	DATE	08/11/16	APPR	S. KRANZ	
SUPERSEDES: SUPERSEDED BY:						<b>L12151-2</b>		SHEET	2/2	REVISION	0	PA	PA2016-183
								ARN					